



# **SOCKETS AND BITS FOR INDUSTRIAL POWERTOOLS**

Atlas Copco

## **SALTUS SOCKETS, BITS AND SPECIALS**

Experienced engineers from the Atlas Copco "Competence Center Sockets" develop and produce standard and customized sockets covering nearly every tightening situation.

More than 1.400 different high-quality Saltus sockets in various versions, lengths and with useful features optimize your assembly operations and increase your productivity.

Thanks to our continuous stream of innovations we steadily improve materials, form and function.

An outstanding example for sustainable productivity: Our new Long Life sockets which have a three to ten times longer lifetime than normal sockets – depending on your application.

Where standard sockets cannot support your assembly process efficiently enough, we develop the optimal, individual and customized solutions in close cooperation with you. These customized sockets are even available in small batches, and if needed within 5-10 working days as express production.



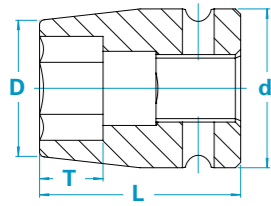
# CONTENT

Sockets, short version	Type No.	Page No.
Sockets	1100, 1200, 1300, 1500, 1600, 1700	6–9
Sockets with magnet	1105, 1106, 1205, 1206, 1305	10–11
Sockets, thin walled	1201, 1301	12–13
Sockets, pathfinder	1118, 1218, 1318	13
Sockets, double hexagon	1215, 1315, 1515	14–15
Sockets, double hexagon, thin walled	1216, 1316	15–16
Sockets, Surface Drive	1108, 1208, 1308, 1508, 1608, 1211, 1311, 1214, 1314, 1212, 1312	16–19
Sockets for Torx® screws and Torx® Plus screws	1120, 1220, 1320, 1520, 1222, 1322, 1522	19–20
Sockets semi-long version	Type No.	Page No.
Sockets, thin walled	1202, 1302	20–21
Sockets with spring-mounted magnet	1107, 1207, 1307	21
Sockets, Surface Drive	1309	21
Sockets, long version	Type No.	Page No.
Sockets	1103, 1203, 1303, 1503, 1603	22–24
Sockets with spring-mounted magnet	1240	24
Sockets, thin walled	1204, 1304	25–26
Sockets, pathfinder	1219, 1319	26
Sockets, double hexagon	1217, 1317, 1517	27
Sockets, Surface Drive	1210, 1310, 1510, 1610, 1213, 1313	28–30
Socket for Torx® screws	1221, 1321, 1521	30
Universal sockets	Type No.	Page No.
Universal Sockets	1231, 1331, 1232, 1233, 1332, 1333	31–32
Bit sockets	Type No.	Page No.
Bit sockets for inhex screws	1123, 1223, 1323, 1523, 1623	34
Bit sockets for Torx® screws	1226, 1227, 1228, 1326, 1327, 1328, 1229, 1230, 1329, 1330	35–36
Bit sockets for XZN-screws	1224, 1225, 1324, 1325	36
Bit holder and Bits	Type No.	Page No.
Bit holder	1235 1, 1335 1, 1535 1, 1635 1	37
Bits, male hexagon	1250, 1550, 1650	37
Bits for Torx® screws	1252, 1552, 1652	38
Bits for XZN-screws	1251, 1551	38
Extensions	Type No.	Page No.
Extensions with hole	1134 1, 1234 1, 1334 1, 1534 1, 1634 1, 1734 1	39
Extensions with pin	1134 0, 1234 0, 1334 0	39
Extensions with rotating protection sleeve	1234 2, 1334 2	40
Universal Adapters	Type No.	Page No.
Ball joints	1135 4, 1235 4, 1335 4, 1535 4, 1635 4	40
Wobble adapter socket	1235 5, 1335 5, 1535 5, 1635 5	40
Quick-Change	1136 1, 1236 1, 1336 1, 1436 1, 1536 1, 1636 1, 1236 0, 1336 0, 1436 0	41
Universal adapter with hole	1135 2, 1235 2, 1335 2, 1435 2, 1535 2, 1635 2, 1735 2	41
Universal adapter with pin	1135 3, 1235 3, 1335 3, 1535 3	42
Universal adapter	1135 0, 1235 0, 1335 0, 1017, 1018	42
Nut setter	Type No.	Page No.
Nut Setter	1000, 1001, 1002, 1003, 1004, 1011, 1012	43
Nut Setter with magnet	1005, 1006, 1007, 1008, 1009, 1010, 1063, 1064, 1065	44
Universal nut setter	1013, 1014, 1015, 1016	45
Stud setter	Type No.	Page No.
Stud setter with rotating protection sleeve	1237, 1337	46
Pin and O-Ring reference table		46

# SOCKETS



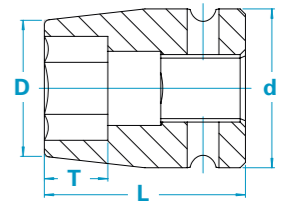
## Sockets, short version



		Output-Ø D mm	Input-Ø d mm	Length L mm	Depth T mm	Weight g	Ordering No.	Pin and O-Ring Reference**
<b>in</b>	<b>mm</b>							
1/4	4	7.5	13	23	4	14	4027 1100 04	Z
1/4	4.5	8.1	13	23	4	14	4027 1100 45	Z
1/4	5	8.8	13	23	4	14	4027 1100 05	Z
1/4	5.5	9.4	13	23	4	14	4027 1100 55	Z
1/4	6	10	13	23	5	14	4027 1100 06	Z
1/4	7	11.3	13	23	5	14	4027 1100 07	Z
1/4	8	12.5	13	23	6	14	4027 1100 08	Z
1/4	9	13.8	13	23	7	14	4027 1100 09	Z
1/4	10	15	13	23	7	15	4027 1100 10	Z
1/4	11	16.3	13	23	8	18	4027 1100 11	Z
1/4	12	17.5	13	23	8	19	4027 1100 12	Z
1/4	13	18.8	13	23	8	19	4027 1100 13	Z
1/4	14	20	13	23	9	20	4027 1100 14	Z
<b>in</b>	<b>in</b>							
1/4	5/32	7.5	13	23	4	14	4027 1100 99	Z
1/4	3/16	8.1	13	23	4	14	4027 1100 98	Z
1/4	7/32	9.4	13	23	4	14	4027 1100 97	Z
1/4	1/4	10	13	23	5	14	4027 1100 96	Z
1/4	9/32	11.3	13	23	5	14	4027 1100 94	Z
1/4	5/16	12.5	13	23	6	14	4027 1100 93	Z
1/4	11/32	13.8	13	23	7	14	4027 1100 92	Z
1/4	3/8	15	13	23	7	15	4027 1100 91	Z
1/4	13/32	15	13	23	7	15	4027 1100 89	Z
1/4	7/16	16.3	13	23	8	18	4027 1100 88	Z
1/4	1/2	18.8	13	23	8	19	4027 1100 86	Z
1/4	9/16	20	13	23	9	20	4027 1100 84	Z
<b>in</b>	<b>mm</b>							
3/8	6	10.8	19	32	5	40	4027 1200 06	Y
3/8	7	12	19	32	5	40	4027 1200 07	Y
3/8	8	13.3	19	32	6	40	4027 1200 08	Y
3/8	9	14.5	19	32	7	40	4027 1200 09	Y
3/8	10	15.8	19	32	7	40	4027 1200 10	Y
3/8	11	17	19	32	8	41	4027 1200 11	Y
3/8	12	18.3	19	32	9	43	4027 1200 12	Y
3/8	13	19.5	22	32	10	56	4027 1200 13	X
3/8	14	20.8	22	32	10	56	4027 1200 14	X
3/8	15	22	22	32	11	56	4027 1200 15	X
3/8	16	23.3	22	32	11	57	4027 1200 16	X
3/8	17	24.5	22	32	12	60	4027 1200 17	X
3/8	18	25.8	22	32	12	62	4027 1200 18	X
3/8	19	27	22	32	12	67	4027 1200 19	X
3/8	21	29.5	22	32	12	71	4027 1200 21	X
3/8	22	30.8	22	32	13	72	4027 1200 22	X
3/8	24	33.3	22	32	13	78	4027 1200 24	X
<b>in</b>	<b>in</b>							
3/8	5/16	13.3	19	32	6	40	4027 1200 93	Y
3/8	3/8	15.8	19	32	7	40	4027 1200 91	Y
3/8	13/32	15.8	19	32	7	40	4027 1200 89	Y
3/8	7/16	17	19	32	8	41	4027 1200 88	Y
3/8	15/32	18.3	19	32	9	43	4027 1200 87	Y
3/8	1/2	19.5	22	32	10	56	4027 1200 86	X
3/8	9/16	20.8	22	32	10	56	4027 1200 84	X

\*Refer to page 46 for pin and o-ring table

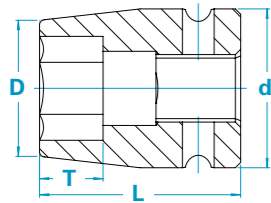
## Sockets, short version



		Output-Ø D mm	Input-Ø d mm	Length L mm	Depth T mm	Weight g	Ordering No.	Pin and O-Ring Reference**
<b>in</b>	<b>in</b>							
3/8	5/8	23.3	22	32	11	57	4027 1200 83	X
3/8	11/16	24.5	22	32	12	60	4027 1200 82	X
3/8	3/4	27	22	32	12	67	4027 1200 81	X
3/8	13/16	29.5	22	32	12	71	4027 1200 79	X
3/8	7/8	30.8	22	32	13	72	4027 1200 78	X
<b>in</b>	<b>mm</b>							
1/2	10	17	25	38	7	85	4027 1300 10	W
1/2	11	18.2	25	38	8	85	4027 1300 11	W
1/2	12	19.5	25	38	9	85	4027 1300 12	W
1/2	13	20.7	25	38	10	85	4027 1300 13	W
1/2	14	22	25	38	10	85	4027 1300 14	W
1/2	15	23.2	30	38	11	130	4027 1300 15	V
1/2	16	24.5	30	38	11	130	4027 1300 16	V
1/2	17	25.7	30	38	12	130	4027 1300 17	V
1/2	18	27	30	38	13	130	4027 1300 18	V
1/2	19	28.2	30	38	13	125	4027 1300 19	V
1/2	21	30.7	30	38	14	128	4027 1300 21	V
1/2	22	32	30	38	14	130	4027 1300 22	V
1/2	23	33.2	30	38	14	130	4027 1300 23	V
1/2	24	34.5	30	38	14	135	4027 1300 24	V
1/2	27	38.2	30	40	16	160	4027 1300 27	V
1/2	30	42	30	42	17	190	4027 1300 30	V
1/2	32	44.5	30	42	18	216	4027 1300 32	V
<b>in</b>	<b>in</b>							
1/2	3/8	17	25	38	7	85	4027 1300 91	W
1/2	7/16	18.2	25	38	8	85	4027 1300 88	W
1/2	1/2	20.7	25	38	10	85	4027 1300 86	W
1/2	9/16	22	25	38	10	85	4027 1300 84	W
1/2	5/8	24.5	30	38	11	130	4027 1300 83	V
1/2	11/16	25.7	30	38	12	130	4027 1300 82	V
1/2	3/4	28.2	30	38	13	125	4027 1300 81	V
1/2	13/16	30.7	30	38	14	128	4027 1300 79	V
1/2	7/8	32	30	38	14	130	4027 1300 78	V
1/2	15/16	34.5	30	38	14	135	4027 1300 77	V
1/2	1	35.7	30	38	14	135	4027 1300 76	V
1/2	1.1/16	38.2	30	40	16	160	4027 1300 99	V
1/2	1.1/8	40.7	30	42	17	190	4027 1300 98	V
1/2	1.1/4	44.5	30	42	18	216	4027 1300 96	V

\*Refer to page 46 for pin and o-ring table

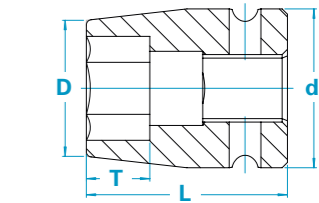
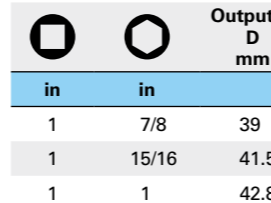
## Sockets, short version



		Output-Ø D mm	Input-Ø d mm	Length L mm	Depth T mm	Weight g	Ordering No.	Pin and O-Ring Reference*
	<b>in</b>	<b>mm</b>						
3/4	16	28.8	44	50	11	378	4027 1500 16	U
3/4	17	30	44	50	12	370	4027 1500 17	U
3/4	18	31.3	44	50	13	382	4027 1500 18	U
3/4	19	32.5	44	50	13	379	4027 1500 19	U
3/4	21	35	44	50	15	380	4027 1500 21	U
3/4	22	36.3	44	50	15	374	4027 1500 22	U
3/4	24	38.8	44	50	16	382	4027 1500 24	U
3/4	27	42.5	44	50	16	381	4027 1500 27	U
3/4	30	46.3	44	53	18	416	4027 1500 30	U
3/4	32	48.8	44	53	19	436	4027 1500 32	U
3/4	33	50	44	55	20	460	4027 1500 33	U
3/4	34	51.3	44	55	20	480	4027 1500 34	U
3/4	36	53.8	44	55	20	512	4027 1500 36	U
3/4	41	60	44	57	22	611	4027 1500 41	U
3/4	46	66.3	44	62	23	771	4027 1500 46	U
3/4	50	71.3	54	62	30	930	4027 1500 50	Q
	<b>in</b>	<b>in</b>						
3/4	11/16	30	44	50	12	365	4027 1500 82	U
3/4	3/4	32.5	44	50	13	379	4027 1500 81	U
3/4	13/16	35	44	50	15	385	4027 1500 79	U
3/4	7/8	36.3	44	50	15	369	4027 1500 78	U
3/4	15/16	38.8	44	50	16	387	4027 1500 77	U
3/4	1	40	44	50	16	369	4027 1500 76	U
3/4	1.1/16	42.5	44	50	16	381	4027 1500 99	U
3/4	1.1/8	45	44	53	18	417	4027 1500 98	U
3/4	1.1/4	48.8	44	53	19	441	4027 1500 96	U
3/4	1.5/16	51.3	44	55	20	495	4027 1500 94	U
3/4	1.1/2	56.3	44	57	20	558	4027 1500 91	U
3/4	1.3/4	65	44	62	23	762	4027 1500 86	U
3/4	1.7/8	68.8	54	62	23	945	4027 1500 83	Q
	<b>in</b>	<b>mm</b>						
1	21	37.8	54	57	15	605	4027 1600 21	T
1	22	39	54	57	15	620	4027 1600 22	T
1	24	41.5	54	57	16	627	4027 1600 24	T
1	27	45.3	54	57	16	630	4027 1600 27	T
1	30	49	54	62	21	650	4027 1600 30	T
1	32	51.5	54	62	21	660	4027 1600 32	T
1	34	54	54	62	21	690	4027 1600 34	T
1	33	52.8	54	62	21	660	4027 1600 33	T
1	36	56.5	54	62	21	716	4027 1600 36	T
1	41	62.8	54	66	25	850	4027 1600 41	T
1	46	69	54	70	29	1024	4027 1600 46	T
1	50	74	54	70	35	1050	4027 1600 50	T
1	55	80.3	54	75	39	1286	4027 1600 55	T
1	60	86.5	54	75	39	1400	4027 1600 60	T
1	65	92.8	54	75	38	1630	4027 1600 65	T
1	70	99	54	75	37	1625	4027 1600 70	T

\*Refer to page 46 for pin and o-ring table

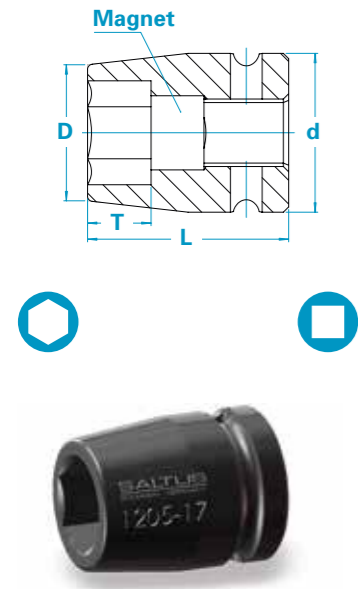
## Sockets, short version



		Output-Ø D mm	Input-Ø d mm	Length L mm	Depth T mm	Weight g	Ordering No.	Pin and O-Ring Reference*
	<b>in</b>	<b>in</b>						
1	7/8	39	54	57	15	615	4027 1600 78	T
1	15/16	41.5	54	57	16	627	4027 1600 77	T
1	1	42.8	54	57	16	620	4027 1600 76	T
1	1.1/16	45.3	54	57	16	630	4027 1600 99	T
1	1.1/8	47.8	54	57	18	637	4027 1600 98	T
1	1.3/16	49	54	62	21	647	4027 1600 97	T
1	1.1/4	51.5	54	62	21	655	4027 1600 96	T
1	1.5/16	54	54	62	21	700	4027 1600 94	T
1	1.1/2	59	54	66	25	770	4027 1600 91	T
1	1.11/16	65.3	54	68	27	977	4027 1600 87	T
1	1.7/8	71.5	54	70	35	990	4027 1600 83	T
1	2	75.3	54	70	35	1030	4027 1600 81	T
1	2.1/16	76.5	54	75	40	1185	4027 1600 79	T
	<b>in</b>	<b>mm</b>						
1.1/2	41	68	86	80	22	2346	4027 1700 41	S
1.1/2	42	70	86	80	22	2330	4027 1700 42	S
1.1/2	46	74	86	84	26	2360	4027 1700 46	S
1.1/2	50	79	86	84	27	2400	4027 1700 50	S
1.1/2	52	82	86	84	38	2340	4027 1700 52	S
1.1/2	54	84	86	84	38	2340	4027 1700 54	S
1.1/2	55	85	86	90	44	2450	4027 1700 55	S
1.1/2	58	88	86	90	44	2510	4027 1700 58	S
1.1/2	60	91	86	90	43	2640	4027 1700 60	S
1.1/2	65	97	86	95	48	3050	4027 1700 65	S
1.1/2	70	103	86	100	52	3350	4027 1700 70	S
1.1/2	75	108	86	105	56	3700	4027 1700 75	S
1.1/2	80	115	86	110	60	4240	4027 1700 80	S
1.1/2	85	122	86	110	60	4550	4027 1700 85	S
1.1/2	90	128	86	112	60	4840	4027 1700 90	S
1.1/2	95	135	127	112	52	7660	4027 1700 95	P
1.1/2	100	140	127	115	53	7700	4027 1700 00	P
1.1/2	105	146	127	120	57	8000	4027 1700 05	P
1.1/2	110	153	127	124	60	9200	4027 1700 10	P
1.1/2	115	160	127	128	62	10700	4027 1700 15	P
1.1/2	120	166	127	132	64	11200	4027 1700 20	P
1.1/2	125	173	127	136	67	13000	4027 1700 25	P
1.1/2	130	180	127	140	69	14200	4027 1700 30	P
1.1/2	135	186	127	145	73	14940	4027 1700 35	P
1.1/2	140	190	127	150	76	15600	4027 1700 40	P
1.1/2	150	200	127	160	83	16500	4027 1700 51	P

\*Refer to page 46 for pin and o-ring table

## Sockets, short version, with magnet

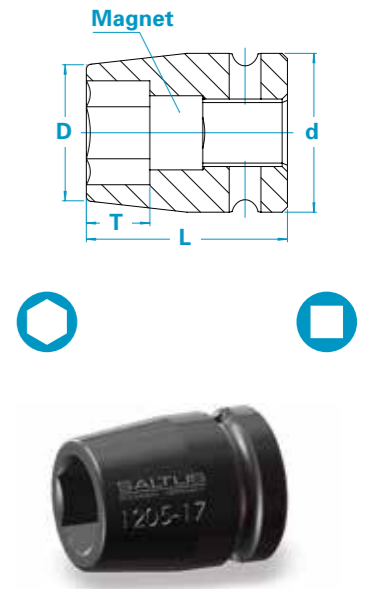


		Output-Ø D mm	Input-Ø d mm	Length L mm	Depth T mm	Weight g	Ordering No.	Pin and O-Ring Reference*
<b>in</b>	<b>mm</b>							
1/4	4.5	8.1	13	23	2.1	13	4027 1105 45	Z
1/4	5	8.8	13	23	2.1	15	4027 1105 05	Z
1/4	5.5	9.4	13	23	2.1	15	4027 1105 55	Z
1/4	6	10	13	23	2.4	16	4027 1105 06	Z
1/4	7	11.3	13	23	2.8	16	4027 1105 07	Z
1/4	8	12.5	13	23	3.5	17	4027 1105 08	Z
1/4	9	13.8	13	23	3.8	18	4027 1105 09	Z
1/4	10	15	13	23	4.2	18	4027 1105 10	Z
1/4	11	16.3	13	23	4.9	21	4027 1105 11	Z
1/4	12	17.5	13	25	5.6	21	4027 1105 12	Z
1/4	13	18.8	13	25	6	21	4027 1105 13	Z
<b>in</b>	<b>in</b>							
1/4	3/16	8.1	13	23	2.1	15	4027 1105 98	Z
1/4	1/4	10	13	23	2.4	16	4027 1105 96	Z
1/4	5/16	12.5	13	23	3.5	18	4027 1105 93	Z
1/4	11/32	13.8	13	23	3.8	19	4027 1105 92	Z
1/4	3/8	15	13	23	4.2	20	4027 1105 91	Z
1/4	7/16	16.3	13	23	4.9	21	4027 1105 88	Z
1/4	1/2	18.8	13	25	6	23	4027 1105 86	Z
1/4	9/16	20	13	25	6.4	24	4027 1105 84	Z
<b>in</b>	<b>mm</b>							
3/8	6	10.8	19	32	2.4	44	4027 1205 06	Y
3/8	7	12	19	32	2.8	45	4027 1205 07	Y
3/8	8	13.3	19	32	3.5	45	4027 1205 08	Y
3/8	9	14.5	19	32	3.8	46	4027 1205 09	Y
3/8	10	15.8	19	32	4.2	49	4027 1205 10	Y
3/8	11	17	19	32	4.9	50	4027 1205 11	Y
3/8	12	18.3	19	32	5.6	55	4027 1205 12	Y
3/8	13	19.5	22	32	6	70	4027 1205 13	X
3/8	14	20.8	22	32	6.4	76	4027 1205 14	X
3/8	15	22	22	32	6.8	76	4027 1205 15	X
3/8	16	23.3	22	32	7	88	4027 1205 16	X
3/8	17	24.5	22	32	7.5	95	4027 1205 17	X
3/8	18	25.8	22	32	7.8	105	4027 1205 18	X
3/8	19	27	22	32	8	116	4027 1205 19	X
3/8	21	29.5	22	32	8	125	4027 1205 21	X
3/8	22	30.8	22	32	9.5	135	4027 1205 22	X
<b>in</b>	<b>in</b>							
3/8	5/16	13.3	19	32	3.5	45	4027 1205 93	Y
3/8	3/8	15.8	19	32	4.2	49	4027 1205 91	Y
3/8	7/16	17	19	32	4.9	50	4027 1205 88	Y
3/8	1/2	19.5	22	32	6	70	4027 1205 86	X
3/8	9/16	20.8	22	32	6.4	76	4027 1205 84	X
3/8	5/8	23.3	22	32	7	88	4027 1205 83	X
3/8	11/16	24.5	22	32	7.5	95	4027 1205 82	X
3/8	3/4	27	22	32	8	116	4027 1205 81	X

\*Refer to page 46 for pin and o-ring table

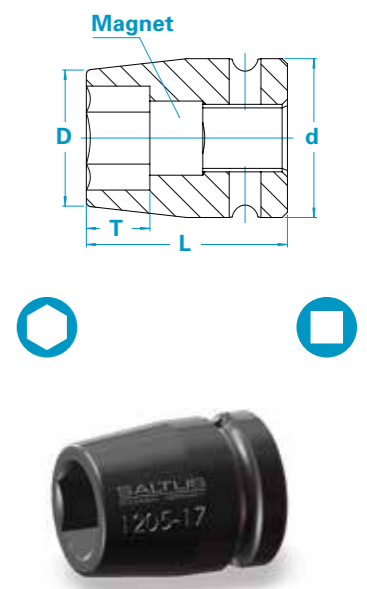
## Sockets, short version, with magnet

		Output-Ø D mm	Input-Ø d mm	Length L mm	Depth T mm	Weight g	Ordering No.	Pin and O-Ring Reference*
<b>in</b>	<b>mm</b>							
1/2	10	17	25	38	4.2	95	4027 1305 10	W
1/2	11	18.2	25	38	4.9	97	4027 1305 11	W
1/2	12	19.5	25	38	5.6	100	4027 1305 12	W
1/2	13	20.7	25	38	6	100	4027 1305 13	W
1/2	14	22	25	38	6.4	105	4027 1305 14	W
1/2	15	23.2	30	38	6.8	140	4027 1305 15	V
1/2	16	24.5	30	38	7	145	4027 1305 16	V
1/2	17	25.7	30	38	7.5	145	4027 1305 17	V
1/2	18	27	30	38	7.8	147	4027 1305 18	V
1/2	19	28.2	30	38	8	147	4027 1305 19	V
1/2	21	30.7	30	38	13.5	165	4027 1305 21	V



## Sockets, short version, with magnet for self-tapping screws

		Output-Ø D mm	Input-Ø d mm	Length L mm	Depth T mm	Weight g	Ordering No.	Pin and O-Ring Reference*
<b>in</b>	<b>mm</b>							
1/4	5.5	9.7	13	23	2.1	16	4027 1106 55	Z
1/4	6	10.3	13	23	2.4	16	4027 1106 06	Z
1/4	7	11.6	13	23	2.8	16	4027 1106 07	Z
1/4	8	12.8	13	25	3.5	18	4027 1106 08	Z
1/4	10	15.3	13	28	4.2	20	4027 1106 10	Z
<b>in</b>	<b>in</b>							
1/4	1/4	10.3	13	23	2.4	16	4027 1106 96	Z
1/4	5/16	12.8	13	25	3.5	18	4027 1106 93	Z
1/4	3/8	15.3	13	28	4.2	20	4027 1106 91	Z
1/4	7/16	16.6	13	29	4.9	27	4027 1106 88	Z
1/4	1/2	19.1	13	30	6	23	4027 1106 86	Z
<b>in</b>	<b>mm</b>							
3/8	6	11.4	19	32	2.4	44	4027 1206 06	Y
3/8	7	12.8	19	32	2.8	46	4027 1206 07	Y
3/8	8	14.1	19	32	3.5	48	4027 1206 08	Y
3/8	10	16.6	19	33	4.2	54	4027 1206 10	Y
3/8	11	17.8	19	33	4.9	56	4027 1206 11	Y
3/8	12	19.1	19	34	5.6	62	4027 1206 12	Y
3/8	13	20.3	22	34	6	81	4027 1206 13	X
<b>in</b>	<b>in</b>							
3/8	1/4	11.4	19	32	2.4	44	4027 1206 96	Y
3/8	5/16	14.1	19	32	3.5	48	4027 1206 93	Y
3/8	3/8	16.6	19	33	4.2	54	4027 1206 91	Y
3/8	1/2	20.3	22	34	6	81	4027 1206 86	X



### Sockets, short version, thin walled



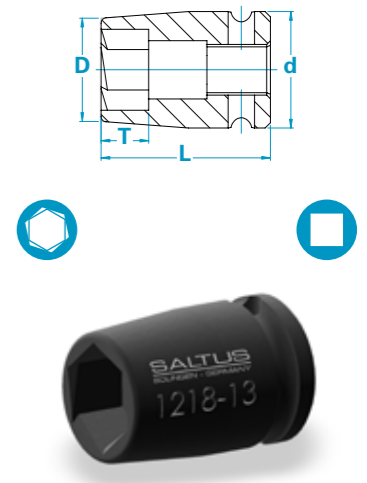
Output-Ø D mm	Input-Ø d mm	Length L mm	Depth T mm	Weight g	Ordering No.	Pin and O-Ring Reference*		
3/8	8	12.3	18.5	32	6	31	4027 1201 08	Y
3/8	9	13.5	18.5	32	7	32	4027 1201 09	Y
3/8	10	14.8	18.5	32	7	34	4027 1201 10	Y
3/8	11	16	18.5	32	8	35	4027 1201 11	Y
3/8	12	17.3	18.5	32	9	36	4027 1201 12	Y
3/8	13	18.5	21.5	32	10	43	4027 1201 13	X
3/8	14	19.8	21.5	32	10	49	4027 1201 14	X
3/8	15	21	21.5	32	11	49	4027 1201 15	X
3/8	16	22.3	21.5	32	11	51	4027 1201 16	X
3/8	17	23.5	21.5	32	12	54	4027 1201 17	X
3/8	18	24.8	21.5	32	12	57	4027 1201 18	X
3/8	19	26	21.5	32	12	60	4027 1201 19	X
3/8	21	28.5	21.5	32	12	70	4027 1201 21	X
3/8	22	29.8	21.5	32	13	73	4027 1201 22	X
3/8	24	32.3	21.5	32	13	75	4027 1201 24	X
3/8	5/16	12.3	18.5	32	6	31	4027 1201 93	Y
3/8	3/8	14.8	18.5	32	7	34	4027 1201 91	Y
3/8	7/16	16	18.5	32	8	35	4027 1201 88	Y
3/8	1/2	18.5	21.5	32	10	43	4027 1201 86	X
3/8	9/16	19.8	21.5	32	10	49	4027 1201 84	X
3/8	5/8	22.3	21.5	32	11	51	4027 1201 83	X
3/8	11/16	23.5	21.5	32	12	54	4027 1201 82	X
3/8	3/4	26	21.5	32	12	60	4027 1201 81	X
3/8	13/16	28.5	21.5	32	12	70	4027 1201 79	X
3/8	7/8	29.8	21.5	32	13	73	4027 1201 78	X
1/2	8	13	24	38	6	57	4027 1301 08	W
1/2	10	15.5	24	38	7	60	4027 1301 10	W
1/2	11	16.7	24	38	8	62	4027 1301 11	W
1/2	12	18	24	38	9	63	4027 1301 12	W
1/2	13	19.2	24	38	10	65	4027 1301 13	W
1/2	14	20.5	24	38	10	67	4027 1301 14	W
1/2	15	21.7	29	38	11	100	4027 1301 15	V
1/2	16	23	29	38	11	102	4027 1301 16	V
1/2	17	24.2	29	38	12	105	4027 1301 17	V
1/2	18	25.5	29	38	13	105	4027 1301 18	V
1/2	19	26.7	29	38	13	107	4027 1301 19	V
1/2	21	29.2	29	38	14	109	4027 1301 21	V
1/2	22	30.5	29	38	14	114	4027 1301 22	V
1/2	24	33	29	38	14	122	4027 1301 24	V
1/2	27	36.7	29	40	16	145	4027 1301 27	V
1/2	30	40.5	29	42	17	178	4027 1301 30	V
1/2	32	43	29	42	18	188	4027 1301 32	V

### Sockets, short version, thin walled



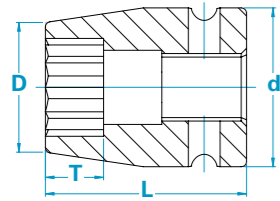
Output-Ø D mm	Input-Ø d mm	Length L mm	Depth T mm	Weight g	Ordering No.	Pin and O-Ring Reference*		
1/2	7/16	16.7	24	38	8	62	4027 1301 88	W
1/2	1/2	19.2	24	38	10	65	4027 1301 86	W
1/2	9/16	20.5	24	38	10	67	4027 1301 84	W
1/2	5/8	23	29	38	11	102	4027 1301 83	V
1/2	11/16	24.2	29	38	12	105	4027 1301 82	V
1/2	3/4	26.7	29	38	13	107	4027 1301 81	V
1/2	13/16	29.2	29	38	14	109	4027 1301 79	V
1/2	7/8	30.5	29	38	14	114	4027 1301 78	V
1/2	15/16	33	29	38	14	122	4027 1301 77	V
1/2	1	34.2	29	38	14	129	4027 1301 76	V
1/2	1.1/16	35.5	29	40	14	131	4027 1301 99	V
1/2	1.1/4	43	29	42	18	188	4027 1301 96	V

### Sockets, short version, pathfinder



Output-Ø D mm	Input-Ø d mm	Length L mm	Depth T mm	Weight g	Ordering No.	Pin and O-Ring Reference*		
1/4	10	15	13	23	8	17	4027 1118 10	Z
1/4	13	18.8	13	23	9	20	4027 1118 13	Z
3/8	10	15.8	19	32	8	43	4027 1218 10	Y
3/8	11	17	19	32	8	44	4027 1218 11	Y
3/8	12	18.3	19	32	9	47	4027 1218 12	Y
3/8	13	19.5	22	32	9	55	4027 1218 13	X
3/8	14	20.8	22	32	11	56	4027 1218 14	X
3/8	15	22	22	32	11	56	4027 1218 15	X
3/8	16	23.3	22	32	11	57	4027 1218 16	X
3/8	17	24.5	22	32	12	60	4027 1218 17	X
3/8	18	25.8	22	32	13	63	4027 1218 18	X
3/8	19	27	22	32	13	66	4027 1218 19	X
1/2	13	20.7	25	38	9	86	4027 1318 13	W
1/2	14	22	25	38	11	86	4027 1318 14	W
1/2	15	23.2	30	38	11	131	4027 1318 15	V
1/2	16	24.5	30	38	11	131	4027 1318 16	V
1/2	17	25.7	30	38	12	132	4027 1318 17	V
1/2	18	27	30	38	13	128	4027 1318 18	V
1/2	19	28.2	30	38	13	128	4027 1318 19	V
1/2	21	30.7	30	38	14	128	4027 1318 21	V
1/2	22	32	30	38	15	130	4027 1318 22	V
1/2	24	34.5	30	38	15	135	4027 1318 24	V

## Sockets, short version, double hexagon

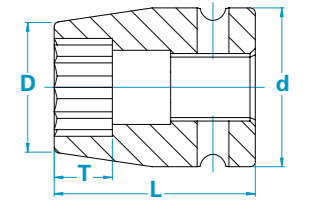


Output-Ø D mm	Input-Ø d mm	Length L mm	Depth T mm	Weight g	Ordering No.	Pin and O-Ring Reference*		
3/8	8	13.3	19	32	6	40	4027 1215 08	Y
3/8	9	14.5	19	32	7	40	4027 1215 09	Y
3/8	10	15.8	19	32	7	40	4027 1215 10	Y
3/8	11	17	19	32	8	41	4027 1215 11	Y
3/8	12	18.3	19	32	9	43	4027 1215 12	Y
3/8	13	19.5	22	32	10	56	4027 1215 13	X
3/8	14	20.8	22	32	10	56	4027 1215 14	X
3/8	15	22	22	32	11	56	4027 1215 15	X
3/8	16	23.3	22	32	11	57	4027 1215 16	X
3/8	17	24.5	22	32	12	60	4027 1215 17	X
3/8	18	25.8	22	32	12	62	4027 1215 18	X
3/8	19	27	22	32	12	67	4027 1215 19	X
3/8	21	29.5	22	32	12	71	4027 1215 21	X
3/8	22	30.8	22	32	13	72	4027 1215 22	X
3/8	1/4	10.8	19	32	5	40	4027 1215 96	Y
3/8	5/16	13.3	19	32	6	40	4027 1215 93	Y
3/8	3/8	15.8	19	32	7	40	4027 1215 91	Y
3/8	7/16	17	19	32	8	41	4027 1215 88	Y
3/8	1/2	19.5	22	32	10	56	4027 1215 86	X
3/8	5/8	23.3	22	32	11	57	4027 1215 83	X
3/8	3/4	27	22	32	12	67	4027 1215 81	X
1/2	10	17	25	38	7	85	4027 1315 10	W
1/2	11	18.2	25	38	8	84	4027 1315 11	W
1/2	12	19.5	25	38	9	84	4027 1315 12	W
1/2	13	20.7	25	38	10	84	4027 1315 13	W
1/2	14	22	25	38	10	84	4027 1315 14	W
1/2	15	23.2	30	38	11	130	4027 1315 15	V
1/2	16	24.5	30	38	11	127	4027 1315 16	V
1/2	17	25.7	30	38	12	128	4027 1315 17	V
1/2	18	27	30	38	13	130	4027 1315 18	V
1/2	19	28.2	30	38	13	125	4027 1315 19	V
1/2	21	30.7	30	38	14	128	4027 1315 21	V
1/2	22	32	30	38	14	130	4027 1315 22	V
1/2	24	34.5	30	38	14	133	4027 1315 24	V
1/2	27	38.2	30	40	16	157	4027 1315 27	V
1/2	30	42	30	42	17	190	4027 1315 30	V
1/2	32	44.5	30	42	18	216	4027 1315 32	V
3/4	16	28.8	44	50	11	377	4027 1515 16	U
3/4	17	30	44	50	12	367	4027 1515 17	U
3/4	18	31.3	44	50	13	372	4027 1515 18	U
3/4	19	32.5	44	50	13	370	4027 1515 19	U
3/4	21	35	44	50	15	374	4027 1515 21	U
3/4	22	36.3	44	50	15	373	4027 1515 22	U
3/4	24	38.8	44	50	16	370	4027 1515 24	U
3/4	27	42.5	44	50	16	375	4027 1515 27	U
3/4	30	46.3	44	53	18	410	4027 1515 30	U
3/4	32	48.8	44	53	19	428	4027 1515 32	U
3/4	36	53.8	44	55	20	498	4027 1515 36	U

\*Refer to page 46 for pin and o-ring table

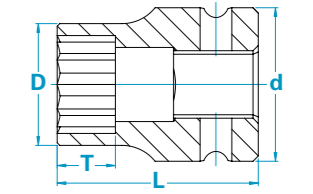
## Sockets, short version, double hexagon

Output-Ø D mm	Input-Ø d mm	Length L mm	Depth T mm	Weight g	Ordering No.	Pin and O-Ring Reference*		
3/4	1.5/8	60	44	57	22	572	4027 1515 88	U
3/4	1.11/16	62.5	44	62	23	720	4027 1515 87	U
3/4	1.3/4	65	44	62	23	757	4027 1515 86	U
3/4	1.7/8	68.8	54	62	23	940	4027 1515 83	Q



## Sockets, short version, double hexagon, thin walled

Output-Ø D mm	Input-Ø d mm	Length L mm	Depth T mm	Weight g	Ordering No.	Pin and O-Ring Reference*		
3/8	8	12.3	18.5	32	6	31	4027 1216 08	Y
3/8	9	13.5	18.5	32	7	32	4027 1216 09	Y
3/8	10	14.8	18.5	32	7	34	4027 1216 10	Y
3/8	11	16	18.5	32	8	35	4027 1216 11	Y
3/8	12	17.3	18.5	32	9	36	4027 1216 12	Y
3/8	13	18.5	21.5	32	10	43	4027 1216 13	X
3/8	14	19.8	21.5	32	10	49	4027 1216 14	X
3/8	15	21	21.5	32	11	49	4027 1216 15	X
3/8	16	22.3	21.5	32	11	51	4027 1216 16	X
3/8	17	23.5	21.5	32	12	54	4027 1216 17	X
3/8	18	24.8	21.5	32	12	57	4027 1216 18	X
3/8	19	26	21.5	32	12	60	4027 1216 19	X
3/8	21	28.5	21.5	32	12	70	4027 1216 21	X
3/8	22	29.8	21.5	32	13	73	4027 1216 22	X
3/8	24	32.3	21.5	32	13	75	4027 1216 24	X
3/8	1/4	9.8	18.5	32	5	28	4027 1216 96	Y
3/8	5/16	12.3	18.5	32	6	31	4027 1216 93	Y
3/8	3/8	14.8	18.5	32	7	34	4027 1216 91	Y
3/8	7/16	16	18.5	32	8	35	4027 1216 88	Y
3/8	1/2	18.5	21.5	32	10	43	4027 1216 86	X
3/8	9/16	19.8	21.5	32	10	49	4027 1216 84	X
3/8	5/8	22.3	21.5	32	11	51	4027 1216 83	X
3/8	3/4	26	21.5	32	12	60	4027 1216 81	X



\*Refer to page 46 for pin and o-ring table



### Sockets, short version, double hexagon, thin walled



		Output-Ø D mm	Input-Ø d mm	Length L mm	Depth T mm	Weight g	Ordering No.	Pin and O-Ring Reference*
in	mm							
1/2	10	15.5	24	38	7	60	4027 1316 10	W
1/2	11	16.7	24	38	8	62	4027 1316 11	W
1/2	12	18	24	38	9	63	4027 1316 12	W
1/2	13	19.2	24	38	10	65	4027 1316 13	W
1/2	14	20.5	24	38	10	67	4027 1316 14	W
1/2	15	21.7	29	38	11	100	4027 1316 15	V
1/2	16	23	29	38	11	102	4027 1316 16	V
1/2	17	24.2	29	38	12	105	4027 1316 17	V
1/2	18	25.5	29	38	13	105	4027 1316 18	V
1/2	19	26.7	29	38	13	107	4027 1316 19	V
1/2	21	29.2	29	38	14	109	4027 1316 21	V
1/2	22	30.5	29	38	14	114	4027 1316 22	V
1/2	24	33	29	38	14	122	4027 1316 24	V
1/2	27	36.7	29	40	16	145	4027 1316 27	V
1/2	30	40.5	29	42	17	178	4027 1316 30	V
1/2	32	43	29	42	18	188	4027 1316 32	V

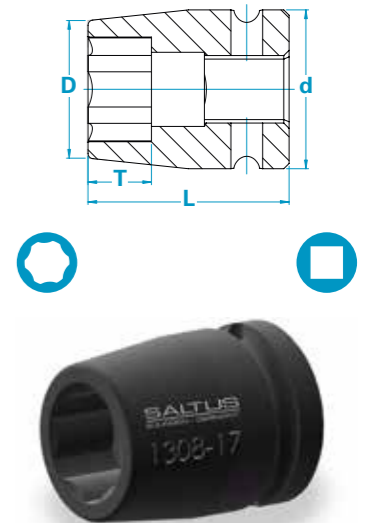
### Sockets, short version, Surface Drive



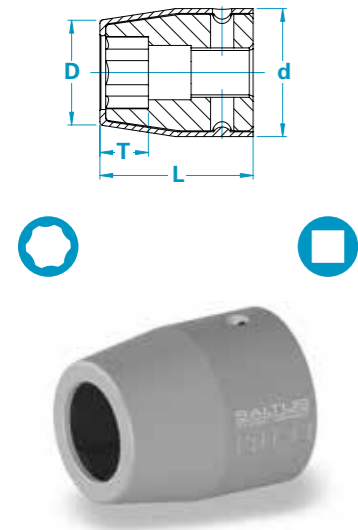
		Output-Ø D mm	Input-Ø d mm	Length L mm	Depth T mm	Weight g	Ordering No.	Pin and O-Ring Reference*
in	mm							
1/4	6	10	13	23	5	14	4027 1108 06	Z
1/4	7	11.3	13	23	5	15	4027 1108 07	Z
1/4	8	12.5	13	23	6	15	4027 1108 08	Z
1/4	9	13.8	13	23	7	14	4027 1108 09	Z
1/4	10	15	13	23	7	14	4027 1108 10	Z
1/4	11	16.3	13	23	8	17	4027 1108 11	Z
1/4	12	17.5	13	23	8	19	4027 1108 12	Z
1/4	13	18.8	13	23	8	19	4027 1108 13	Z
3/8	6	10.8	19	32	5	40	4027 1208 06	Y
3/8	7	12	19	32	5	40	4027 1208 07	Y
3/8	8	13.3	19	32	6	40	4027 1208 08	Y
3/8	9	14.5	19	32	7	40	4027 1208 09	Y
3/8	10	15.8	19	32	7	40	4027 1208 10	Y
3/8	11	17	19	32	8	42	4027 1208 11	Y
3/8	12	18.3	19	32	9	43	4027 1208 12	Y
3/8	13	19.5	22	32	10	56	4027 1208 13	X
3/8	14	20.8	22	32	10	56	4027 1208 14	X
3/8	15	22	22	32	11	56	4027 1208 15	X
3/8	16	23.3	22	32	11	57	4027 1208 16	X
3/8	17	24.5	22	32	12	60	4027 1208 17	X
3/8	18	25.8	22	32	12	62	4027 1208 18	X
3/8	19	27	22	32	12	67	4027 1208 19	X
3/8	21	29.5	22	32	12	71	4027 1208 21	X
3/8	22	30.8	22	32	13	72	4027 1208 22	X

### Sockets, short version, Surface Drive

		Output-Ø D mm	Input-Ø d mm	Length L mm	Depth T mm	Weight g	Ordering No.	Pin and O-Ring Reference*
in	mm							
1/2	10	17	25	38	7	85	4027 1308 10	W
1/2	11	18.2	25	38	8	85	4027 1308 11	W
1/2	12	19.5	25	38	9	85	4027 1308 12	W
1/2	13	20.7	25	38	10	85	4027 1308 13	W
1/2	14	22	25	38	10	85	4027 1308 14	W
1/2	15	23.2	30	38	11	130	4027 1308 15	V
1/2	16	24.5	30	38	11	130	4027 1308 16	V
1/2	17	25.7	30	38	12	130	4027 1308 17	V
1/2	18	27	30	38	13	130	4027 1308 18	V
1/2	19	28.2	30	38	13	125	4027 1308 19	V
1/2	21	30.7	30	38	14	128	4027 1308 21	V
1/2	22	32	30	38	14	135	4027 1308 22	V
1/2	24	34.5	30	38	14	135	4027 1308 24	V
1/2	27	38.2	30	40	16	160	4027 1308 27	V
1/2	30	42	30	42	17	190	4027 1308 30	V
3/4	16	28.8	44	50	11	365	4027 1508 16	U
3/4	17	30	44	50	12	370	4027 1508 17	U
3/4	18	31.3	44	50	13	380	4027 1508 18	U
3/4	19	32.5	44	50	13	378	4027 1508 19	U
3/4	21	35	44	50	15	377	4027 1508 21	U
3/4	22	36.3	44	50	15	379	4027 1508 22	U
3/4	24	38.8	44	50	16	382	4027 1508 24	U
3/4	27	42.5	44	50	16	377	4027 1508 27	U
3/4	30	46.3	44	53	18	412	4027 1508 30	U
3/4	32	48.8	44	53	19	429	4027 1508 32	U
3/4	33	50	44	55	20	460	4027 1508 33	U
3/4	36	53.8	44	55	20	500	4027 1508 36	U
1	21	37.8	54	57	15	585	4027 1608 21	T
1	22	39	54	57	15	627	4027 1608 22	T
1	24	41.5	54	57	16	620	4027 1608 24	T
1	27	45.3	54	57	16	619	4027 1608 27	T
1	30	49	54	62	21	630	4027 1608 30	T
1	32	51.5	54	62	21	646	4027 1608 32	T
1	33	52.8	54	62	21	646	4027 1608 33	T
1	34	54	54	62	21	670	4027 1608 34	T
1	36	56.5	54	62	21	696	4027 1608 36	T
1	41	62.8	54	66	25	842	4027 1608 41	T
1	46	69	54	70	29	1010	4027 1608 46	T



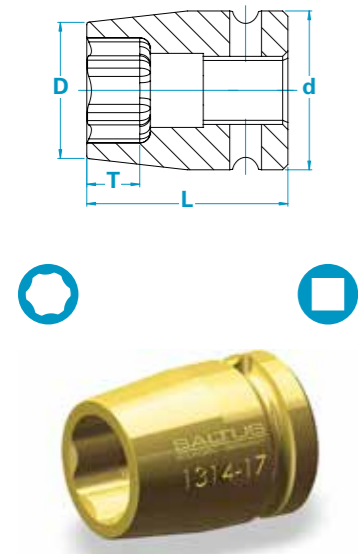
### Sockets , short version, Surface Drive, with rotating protection sleeve



Output-Ø D mm	Input-Ø d mm	Length L mm	Depth T mm	Weight g	Ordering No.	Pin and O-Ring Reference		
3/8	8	16.3	22	32	6	44	4027 1211 08	no**
3/8	10	18.8	22	32	7	44	4027 1211 10	no**
3/8	12	21.3	22	32	9	47	4027 1211 12	no**
3/8	13	22.5	25	32	10	61	4027 1211 13	no**
3/8	14	23.8	25	32	10	61	4027 1211 14	no**
3/8	16	26.3	25	32	11	62	4027 1211 16	no**
3/8	17	27.5	25	32	12	65	4027 1211 17	no**
1/2	10	20	28	38	7	90	4027 1311 10	no**
1/2	12	22.5	28	38	9	90	4027 1311 12	no**
1/2	13	23.7	28	38	10	90	4027 1311 13	no**
1/2	14	25	28	38	10	90	4027 1311 14	no**
1/2	16	27.5	33	38	11	137	4027 1311 16	no**
1/2	17	28.7	33	38	12	137	4027 1311 17	no**
1/2	19	31.2	33	38	13	132	4027 1311 19	no**

\*\*suited for ball/pin locked square drives only

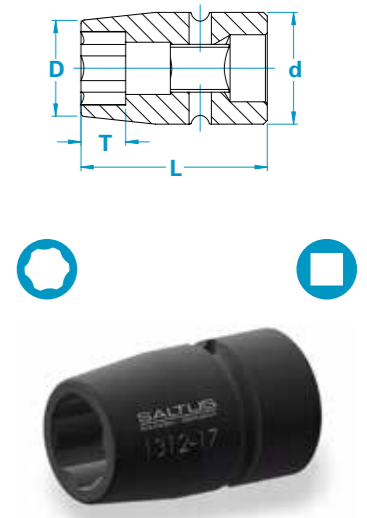
### Sockets , short version, Surface Drive, Long Life



Output-Ø D mm	Input-Ø d mm	Length L mm	Depth T mm	Weight g	Ordering No.	Pin and O-Ring Reference*		
3/8	10	15.8	19	32	5	44	4027 1214 10	Y
3/8	13	19.5	22	32	7	60	4027 1214 13	X
3/8	16	23.3	22	32	9	58	4027 1214 16	X
3/8	17	24.5	22	32	9	62	4027 1214 17	X
1/2	13	20.7	25	38	8	84	4027 1314 13	W
1/2	16	24.5	30	38	10	128	4027 1314 16	V
1/2	17	25.7	30	38	10	127	4027 1314 17	V
1/2	18	27	30	38	11	128	4027 1314 18	V
1/2	19	28.2	30	38	11	126	4027 1314 19	V
1/2	21	30	30	38	12	120	4027 1314 21	V

### Sockets , short version, Surface Drive, guided

Output-Ø D mm	Input-Ø d mm	Length L mm	Depth T mm	Weight g	Ordering No.	Pin and O-Ring Reference*		
3/8	8	13.3	19	50	6	59	4027 1212 08	Y
3/8	10	15.8	19	50	7	62	4027 1212 10	Y
3/8	12	18.3	19	50	9	64	4027 1212 12	Y
3/8	13	19.5	22	50	10	94	4027 1212 13	X
3/8	14	20.8	22	50	10	94	4027 1212 14	X
3/8	16	23.3	22	50	11	97	4027 1212 16	X
3/8	17	24.5	22	50	12	99	4027 1212 17	X
1/2	10	17	25	50	7	102	4027 1312 10	W
1/2	12	19.5	25	50	9	112	4027 1312 12	W
1/2	13	20.7	25	50	10	112	4027 1312 13	W
1/2	14	22	25	50	10	112	4027 1312 14	W
1/2	16	24.5	30	50	11	175	4027 1312 16	V
1/2	17	25.7	30	50	12	176	4027 1312 17	V
1/2	19	28.2	30	50	13	176	4027 1312 19	V

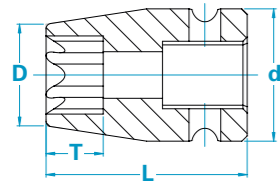


### Sockets , short version, suited for Torx®-screws

Output-Ø D mm	Input-Ø d mm	Length L mm	Depth T mm	Weight g	Ordering No.	Pin and O-Ring Reference*		
1/4	E4	6.6	13	23	4.6	14	4027 1120 04	Z
1/4	E5	7.7	13	23	5.2	15	4027 1120 05	Z
1/4	E6	8.7	13	23	5.4	15	4027 1120 06	Z
1/4	E7	9.2	13	23	6.6	15	4027 1120 07	Z
1/4	E8	9.7	13	23	7	15	4027 1120 08	Z
1/4	E10	12.2	13	23	8.2	15	4027 1120 10	Z
3/8	E4	9.7	19	32	4.6	44	4027 1220 04	Y
3/8	E5	10.2	19	32	5.2	43	4027 1220 05	Y
3/8	E6	10.7	19	32	5.4	44	4027 1220 06	Y
3/8	E7	11.2	19	32	6.6	44	4027 1220 07	Y
3/8	E8	11.7	19	32	7	44	4027 1220 08	Y
3/8	E10	12.2	19	32	8.2	42	4027 1220 10	Y
3/8	E12	14.2	19	32	9.3	43	4027 1220 12	Y
3/8	E14	17.2	19	32	10.6	44	4027 1220 14	Y
3/8	E16	18.2	19	32	11.8	42	4027 1220 16	Y
1/2	E10	14.2	25	38	8.2	86	4027 1320 10	W
1/2	E12	15.2	25	38	9.3	85	4027 1320 12	W
1/2	E14	18.2	25	38	10.6	88	4027 1320 14	W
1/2	E16	19.2	25	38	11.8	88	4027 1320 16	W
1/2	E18	22.2	25	38	13	89	4027 1320 18	W
1/2	E20	24.2	30	38	14.4	134	4027 1320 20	V
3/4	E18	26.3	44	50	13	355	4027 1520 18	U
3/4	E20	28.8	44	50	14.4	370	4027 1520 20	U
3/4	E22	31.3	44	50	15.5	390	4027 1520 22	U
3/4	E24	32.5	44	50	17	390	4027 1520 24	U

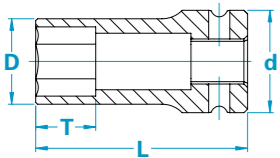


### Sockets, short version suited for Torx Plus®-screws



		Output-Ø D mm	Input-Ø d mm	Length L mm	Depth T mm	Weight g	Ordering No.	Pin and O-Ring Reference*
	<b>in</b>							
3/8	8EPL	12	19	32	5.2	44	4027 1222 08	Y
3/8	10EPL	13.3	19	32	6.2	44	4027 1222 10	Y
1/2	10EPL	14.5	25	38	6.2	86	4027 1322 10	W
1/2	12EPL	17	25	38	7.2	86	4027 1322 12	W
1/2	14EPL	18.2	25	38	8.1	88	4027 1322 14	W
1/2	16EPL	20.7	25	38	9.1	88	4027 1322 16	W
1/2	18EPL	22	25	40	10.2	90	4027 1322 18	W
1/2	20EPL	24.5	30	42	11.2	135	4027 1322 20	V
3/4	24EPL	32.5	44	55	12.2	427	4027 1522 24	U
3/4	32EPL	40	44	62	16.1	488	4027 1522 32	U

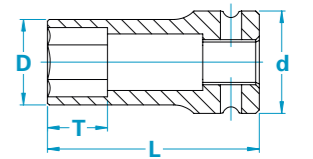
### Sockets, semi-long version, thin walled



		Output-Ø D mm	Input-Ø d mm	Length L mm	Depth T mm	Weight g	Ordering No.	Pin and O-Ring Reference*
	<b>in</b>							
	<b>mm</b>							
3/8	8	12.3	18.5	50	8	40	4027 1202 08	Y
3/8	9	13.5	18.5	50	9	43	4027 1202 09	Y
3/8	10	14.8	18.5	50	10	46	4027 1202 10	Y
3/8	11	16	18.5	50	11	49	4027 1202 11	Y
3/8	12	17.3	18.5	50	12	53	4027 1202 12	Y
3/8	13	18.5	21.5	50	13	67	4027 1202 13	X
3/8	14	19.8	21.5	50	14	70	4027 1202 14	X
3/8	15	21	21.5	50	15	75	4027 1202 15	X
3/8	16	22.3	21.5	50	16	78	4027 1202 16	X
3/8	17	23.5	21.5	50	17	82	4027 1202 17	X
3/8	18	24.8	21.5	50	18	86	4027 1202 18	X
3/8	19	26	21.5	50	19	93	4027 1202 19	X
3/8	21	28.5	21.5	50	21	104	4027 1202 21	X
3/8	22	29.8	21.5	50	22	110	4027 1202 22	X
3/8	24	32.3	21.5	50	24	120	4027 1202 24	X

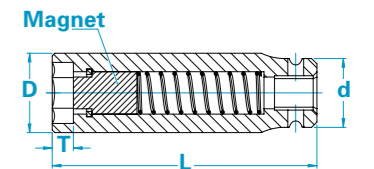
### Sockets, semi-long version, thin walled

		Output-Ø D mm	Input-Ø d mm	Length L mm	Depth T mm	Weight g	Ordering No.	Pin and O-Ring Reference*
	<b>in</b>							
	<b>mm</b>							
1/2	10	15.5	24	60	10	79	4027 1302 10	W
1/2	11	16.7	24	60	11	82	4027 1302 11	W
1/2	12	18	24	60	12	88	4027 1302 12	W
1/2	13	19.2	24	60	13	92	4027 1302 13	W
1/2	14	20.5	24	60	14	97	4027 1302 14	W
1/2	15	21.7	29	60	15	125	4027 1302 15	V
1/2	16	23	29	60	16	135	4027 1302 16	V
1/2	17	24.2	29	60	17	142	4027 1302 17	V
1/2	18	25.5	29	60	18	148	4027 1302 18	V
1/2	19	26.7	29	60	19	151	4027 1302 19	V
1/2	21	29.2	29	60	21	170	4027 1302 21	V
1/2	22	30.5	29	65	22	187	4027 1302 22	V
1/2	24	33	29	65	24	202	4027 1302 24	V
1/2	27	36.7	29	65	27	231	4027 1302 27	V
1/2	30	40.5	29	65	30	265	4027 1302 30	V
1/2	32	43	29	65	32	288	4027 1302 32	V



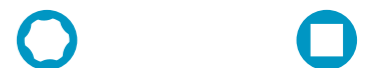
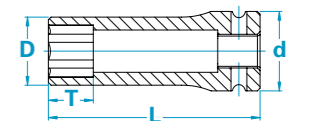
### Sockets, semi-long version, with spring-mounted magnet

		Output-Ø D mm	Input-Ø d mm	Length L mm	Depth T mm	Weight g	Ordering No.	Pin and O-Ring Reference*
	<b>in</b>							
	<b>mm</b>							
1/4	5.5	9.4	13	48	2.5	24	4027 1107 55	Z
1/4	7	11.3	13	48	3.5	32	4027 1107 07	Z
1/4	8	12.5	13	48	4	32	4027 1107 08	Z
1/4	10	15	13	48	4.5	34	4027 1107 10	Z
1/4	12	17.5	13	48	6	49	4027 1107 12	Z
1/4	13	18.8	13	48	6.5	52	4027 1107 13	Z
3/8	8	13.3	19	50	4	40	4027 1207 08	Y
3/8	10	15.8	19	50	4.5	46	4027 1207 10	Y
3/8	12	18.3	19	50	6	55	4027 1207 12	Y
3/8	13	19.5	22	50	6.5	70	4027 1207 13	X
3/8	14	20.8	22	50	7	75	4027 1207 14	X

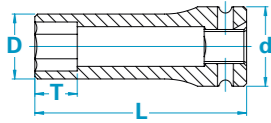


### Sockets, semi-long version, Surface Drive

		Output-Ø D mm	Input-Ø d mm	Length L mm	Depth T mm	Weight g	Ordering No.	Pin and O-Ring Reference*
	<b>in</b>							
	<b>mm</b>							
1/2	13	30	19	57	12	138	4027 1309 13	V
1/2	15	30	23.9	57	14	165	4027 1309 15	V
1/2	16	30	26	57	15	172	4027 1309 16	V
1/2	17	30	26	57	16	171	4027 1309 17	V
1/2	18	30	28	57	16	189	4027 1309 18	V
1/2	19	30	28	57	16	182	4027 1309 19	V
1/2	21	30	30	57	18	174	4027 1309 21	V



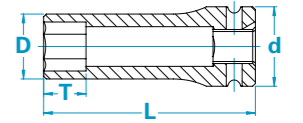
## Sockets, long version



		Output-Ø D mm	Input-Ø d mm	Length L mm	Depth T mm	Weight g	Ordering No.	Pin and O-Ring Reference*
<b>in</b>	<b>mm</b>							
1/4	7	11.3	13	48	7	30	4027 1103 07	Z
1/4	8	12.5	13	48	8	32	4027 1103 08	Z
1/4	10	15	13	48	10	34	4027 1103 10	Z
1/4	11	16.3	13	48	11	46	4027 1103 11	Z
1/4	12	17.5	13	48	12	49	4027 1103 12	Z
1/4	13	18.8	13	48	13	52	4027 1103 13	Z
3/8	8	13.3	19	80	8	82	4027 1203 08	Y
3/8	9	14.5	19	80	9	88	4027 1203 09	Y
3/8	10	15.8	19	80	10	94	4027 1203 10	Y
3/8	11	17	19	80	11	110	4027 1203 11	Y
3/8	12	18.3	19	80	12	111	4027 1203 12	Y
3/8	13	19.5	22	80	13	138	4027 1203 13	X
3/8	14	20.8	22	80	14	148	4027 1203 14	X
3/8	15	22	22	80	15	157	4027 1203 15	X
3/8	16	23.3	22	80	16	156	4027 1203 16	X
3/8	17	24.5	22	80	17	168	4027 1203 17	X
3/8	18	25.8	22	80	18	190	4027 1203 18	X
3/8	19	27	22	80	19	192	4027 1203 19	X
3/8	21	29.5	22	80	21	226	4027 1203 21	X
3/8	22	30.8	22	80	22	231	4027 1203 22	X
<b>in</b>	<b>in</b>							
3/8	5/16	13.3	19	80	8	82	4027 1203 93	Y
3/8	3/8	15.8	19	80	10	94	4027 1203 91	Y
3/8	7/16	17	19	80	11	110	4027 1203 88	Y
3/8	1/2	19.5	22	80	13	138	4027 1203 86	X
3/8	9/16	20.8	22	80	14	148	4027 1203 84	X
3/8	5/8	23.3	22	80	16	156	4027 1203 83	X
3/8	11/16	24.5	22	80	17	168	4027 1203 82	X
3/8	3/4	27	22	80	19	192	4027 1203 81	X
3/8	13/16	29.5	22	80	21	226	4027 1203 79	X
3/8	7/8	30.8	22	80	22	231	4027 1203 78	X
<b>in</b>	<b>mm</b>							
1/2	10	17	25	80	10	140	4027 1303 10	W
1/2	11	18.2	25	80	11	156	4027 1303 11	W
1/2	12	19.5	25	80	12	162	4027 1303 12	W
1/2	13	20.7	25	80	13	162	4027 1303 13	W
1/2	14	22	25	80	14	174	4027 1303 14	W
1/2	15	23.2	30	80	15	220	4027 1303 15	V
1/2	16	24.5	30	80	16	232	4027 1303 16	V
1/2	17	25.7	30	80	17	232	4027 1303 17	V
1/2	18	27	30	80	18	232	4027 1303 18	V
1/2	19	28.2	30	80	19	259	4027 1303 19	V
1/2	21	30.7	30	80	21	265	4027 1303 21	V
1/2	22	32	30	85	22	290	4027 1303 22	V
1/2	24	34.5	30	85	24	329	4027 1303 24	V
1/2	27	38.2	30	85	27	385	4027 1303 27	V
1/2	30	42	30	85	30	457	4027 1303 30	V
1/2	32	44.5	30	85	32	542	4027 1303 32	V

\*Refer to page 46 for pin and o-ring table

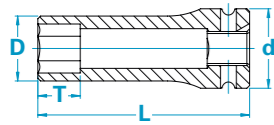
## Sockets, long version



		Output-Ø D mm	Input-Ø d mm	Length L mm	Depth T mm	Weight g	Ordering No.	Pin and O-Ring Reference**
<b>in</b>	<b>in</b>							
1/2	7/16	18.2	25	80	11	156	4027 1303 88	W
1/2	1/2	20.7	25	80	13	162	4027 1303 86	W
1/2	9/16	22	25	80	14	174	4027 1303 84	W
1/2	5/8	24.5	30	80	16	232	4027 1303 83	V
1/2	11/16	25.7	30	80	17	232	4027 1303 82	V
1/2	3/4	28.2	30	80	19	259	4027 1303 81	V
1/2	13/16	30.7	30	80	21	265	4027 1303 79	V
1/2	7/8	32	30	85	22	290	4027 1303 78	V
1/2	15/16	34.5	30	85	24	329	4027 1303 77	V
1/2	1	35.7	30	85	25	345	4027 1303 76	V
1/2	1.1/16	38.2	30	85	27	385	4027 1303 99	V
1/2	1.1/8	40.7	30	85	29	416	4027 1303 98	V
1/2	1.1/4	44.5	30	85	32	542	4027 1303 96	V
<b>in</b>	<b>mm</b>							
3/4	17	30	44	100	17	544	4027 1503 17	U
3/4	18	31.3	44	100	18	560	4027 1503 18	U
3/4	19	32.5	44	100	19	573	4027 1503 19	U
3/4	21	35	44	100	21	600	4027 1503 21	U
3/4	22	36.3	44	100	22	615	4027 1503 22	U
3/4	24	38.8	44	100	24	648	4027 1503 24	U
3/4	27	42.5	44	100	27	715	4027 1503 27	U
3/4	30	46.3	44	100	30	768	4027 1503 30	U
3/4	32	48.8	44	100	32	815	4027 1503 32	U
3/4	33	50	44	100	33	870	4027 1503 33	U
3/4	34	51.3	44	100	34	899	4027 1503 34	U
3/4	36	53.8	44	100	36	905	4027 1503 36	U
3/4	41	60	44	100	41	1000	4027 1503 41	U
<b>in</b>	<b>in</b>							
3/4	3/4	32.5	44	100	19	573	4027 1503 81	U
3/4	13/16	35	44	100	21	610	4027 1503 79	U
3/4	7/8	36.3	44	100	22	605	4027 1503 78	U
3/4	15/16	38.8	44	100	24	660	4027 1503 77	U
3/4	1	40	44	100	25	680	4027 1503 76	U
3/4	1.1/16	42.5	44	100	27	715	4027 1503 99	U
3/4	1.1/8	45	44	100	29	740	4027 1503 98	U
3/4	1.1/4	48.8	44	100	32	825	4027 1503 96	U
3/4	1.7/16	55	44	100	37	895	4027 1503 92	U
3/4	1.1/2	56.3	44	100	38	925	4027 1503 91	U
3/4	1.3/4	65	44	100	38	1150	4027 1503 86	U
3/4	1.7/8	68.8	54	100	38	1401	4027 1503 83	U

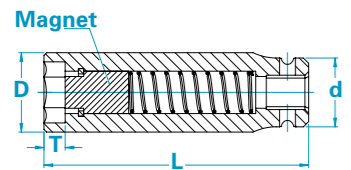
\*Refer to page 46 for pin and o-ring table

## Sockets, long version



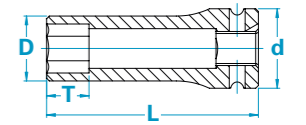
			Output-Ø D mm	Input-Ø d mm	Length L mm	Depth T mm	Weight g	Ordering No.	Pin and O-Ring Reference*
	in	mm							
1	21	37.8	54	108	21	960	4027 1603 21	T	
1	22	39	54	108	22	960	4027 1603 22	T	
1	24	41.5	54	108	24	944	4027 1603 24	T	
1	27	45.3	54	108	27	1002	4027 1603 27	T	
1	30	49	54	108	30	1152	4027 1603 30	T	
1	32	51.5	54	108	32	1180	4027 1603 32	T	
1	33	52.8	54	108	33	1200	4027 1603 33	T	
1	36	56.5	54	108	36	1232	4027 1603 34	T	
1	41	62.8	54	108	38	1360	4027 1603 36	T	
1	46	69	54	108	38	1560	4027 1603 41	T	
1	50	74	54	108	66	1580	4027 1603 46	T	
1	55	80.3	54	108	63	1760	4027 1603 50	T	
1	60	86.5	54	108	60	1957	4027 1603 55	T	
	in	in							
1	7/8	39	54	108	22	960	4027 1603 78	T	
1	15/16	41.5	54	108	24	950	4027 1603 77	T	
1	1	42.8	54	108	25	985	4027 1603 76	T	
1	1.1/16	45.3	54	108	27	1002	4027 1603 99	T	
1	1.3/16	49	54	108	30	1152	4027 1603 97	T	
1	1.1/4	51.5	54	108	32	1200	4027 1603 96	T	
1	1.1/2	59	54	108	38	1323	4027 1603 91	T	
1	2	75.3	54	108	66	1605	4027 1603 81	T	

## Sockets, long version, with spring-mounted magnet



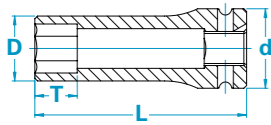
			Output-Ø D mm	Input-Ø d mm	Length L mm	Depth T mm	Weight g	Ordering No.	Pin and O-Ring Reference*
	in	mm							
3/8	8	13.3	19	80	4	82	4027 1240 08	Y	
3/8	10	15.8	19	80	4.5	105	4027 1240 10	Y	
3/8	12	18.3	19	80	6	136	4027 1240 12	Y	
3/8	13	19.5	22	80	6.5	165	4027 1240 13	X	
3/8	14	20.8	22	80	7	186	4027 1240 14	X	
3/8	15	22	22	80	7	195	4027 1240 15	X	
3/8	16	23.3	22	80	7.5	195	4027 1240 16	X	
3/8	17	24.5	22	80	8	220	4027 1240 17	X	
3/8	18	25.8	22	80	8.5	230	4027 1240 18	X	
3/8	19	27	22	80	9	230	4027 1240 19	X	
1/2	10	17	25	80	4.5	139	4027 1340 10	W	
1/2	12	19.5	25	80	6	165	4027 1340 12	W	
1/2	13	20.7	25	80	6.5	185	4027 1340 13	W	
1/2	14	22	25	80	7	189	4027 1340 14	W	
1/2	16	24.5	30	80	7.5	270	4027 1340 16	V	
1/2	17	25.7	30	80	8	272	4027 1340 17	V	
1/2	18	27	30	80	8.5	290	4027 1340 18	V	
1/2	19	28.2	30	80	9	308	4027 1340 19	V	

## Sockets, long version, thin walled



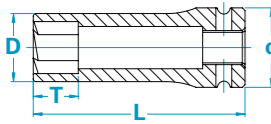
			Output-Ø D mm	Input-Ø d mm	Length L mm	Depth T mm	Weight g	Ordering No.	Pin and O-Ring Reference*
	in	mm							
3/8	8	12.3	18.5	80	8	68	4027 1204 08	Y	
3/8	9	13.5	18.5	80	9	70	4027 1204 09	Y	
3/8	10	14.8	18.5	80	10	72	4027 1204 10	Y	
3/8	11	16	18.5	80	11	80	4027 1204 11	Y	
3/8	12	17.3	18.5	80	12	85	4027 1204 12	Y	
3/8	13	18.5	21.5	80	13	100	4027 1204 13	X	
3/8	14	19.8	21.5	80	14	110	4027 1204 14	X	
3/8	15	21	21.5	80	15	120	4027 1204 15	X	
3/8	16	22.3	21.5	80	16	130	4027 1204 16	X	
3/8	17	23.5	21.5	80	17	136	4027 1204 17	X	
3/8	18	24.8	21.5	80	18	145	4027 1204 18	X	
3/8	19	26	21.5	80	19	155	4027 1204 19	X	
3/8	21	28.5	21.5	80	21	181	4027 1204 21	X	
3/8	22	29.8	21.5	80	22	190	4027 1204 22	X	
	in	in							
3/8	5/16	12.3	18.5	80	8	68	4027 1204 93	Y	
3/8	3/8	14.8	18.5	80	10	72	4027 1204 91	Y	
3/8	7/16	16	18.5	80	11	80	4027 1204 88	Y	
3/8	1/2	18.5	21.5	80	13	100	4027 1204 86	X	
3/8	9/16	19.8	21.5	80	14	110	4027 1204 84	X	
3/8	5/8	22.3	21.5	80	16	130	4027 1204 83	X	
3/8	11/16	23.5	21.5	80	17	136	4027 1204 82	X	
3/8	3/4	26	21.5	80	19	155	4027 1204 81	X	
3/8	13/16	28.5	21.5	80	21	181	4027 1204 79	X	
3/8	7/8	29.8	21.5	80	22	190	4027 1204 78	X	
	in	mm							
1/2	10	15.5	24	80	10	98	4027 1304 10	W	
1/2	11	16.7	24	80	11	104	4027 1304 11	W	
1/2	12	18	24	80	12	111	4027 1304 12	W	
1/2	13	19.2	24	80	13	120	4027 1304 13	W	
1/2	14	20.5	24	80	14	127	4027 1304 14	W	
1/2	15	21.7	29	80	15	169	4027 1304 15	V	
1/2	16	23	29	80	16	173	4027 1304 16	V	
1/2	17	24.2	29	80	17	182	4027 1304 17	V	
1/2	18	25.5	29	80	18	192	4027 1304 18	V	
1/2	19	26.7	29	80	19	197	4027 1304 19	V	
1/2	21	29.2	29	80	21	218	4027 1304 21	V	
1/2	22	30.5	29	85	22	244	4027 1304 22	V	
1/2	24	33	29	85	24	261	4027 1304 24	V	
1/2	27	36.7	29	85	27	314	4027 1304 27	V	
1/2	30	40.5	29	85	30	360	4027 1304 30	V	
1/2	32	43	29	85	32	380	4027 1304 32	V	

## Sockets, long version, thin walled



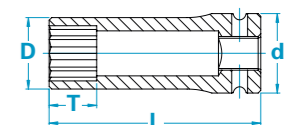
		Output-Ø D mm	Input-Ø d mm	Length L mm	Depth T mm	Weight g	Ordering No.	Pin and O-Ring Reference*
in	in							
1/2	7/16	16.7	24	80	11	104	4027 1304 88	W
1/2	1/2	19.2	24	80	13	120	4027 1304 86	W
1/2	9/16	20.5	24	80	14	127	4027 1304 84	W
1/2	5/8	23	29	80	16	173	4027 1304 83	V
1/2	11/16	24.2	29	80	17	182	4027 1304 82	V
1/2	3/4	26.7	29	80	19	197	4027 1304 81	V
1/2	13/16	29.2	29	80	21	218	4027 1304 79	V
1/2	7/8	30.5	29	85	22	244	4027 1304 78	V
1/2	15/16	33	29	85	24	261	4027 1304 77	V
1/2	1.1/16	36.7	29	85	27	314	4027 1304 99	V

## Sockets, long version, pathfinder



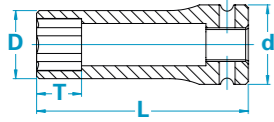
		Output-Ø D mm	Input-Ø d mm	Length L mm	Depth T mm	Weight g	Ordering No.	Pin and O-Ring Reference*
in	mm							
3/8	10	15,8	19	80	8	99	4027 1219 10	Y
3/8	11	17	19	80	8	108	4027 1219 11	Y
3/8	12	18,3	19	80	9	110	4027 1219 12	Y
3/8	13	19,5	22	80	9	142	4027 1219 13	X
3/8	14	20,8	22	80	11	144	4027 1219 14	X
3/8	15	22	22	80	11	150	4027 1219 15	X
3/8	16	23,3	22	80	11	159	4027 1219 16	X
3/8	17	24,5	22	80	12	170	4027 1219 17	X
3/8	18	25,8	22	80	13	201	4027 1219 18	X
3/8	19	27	22	80	13	203	4027 1219 19	X
1/2	13	20,7	25	80	9	170	4027 1319 13	W
1/2	14	22	25	80	11	178	4027 1319 14	W
1/2	15	23,2	30	80	11	237	4027 1319 15	V
1/2	16	24,5	30	80	11	245	4027 1319 16	V
1/2	17	25,7	30	80	12	263	4027 1319 17	V
1/2	18	27	30	80	13	268	4027 1319 18	V
1/2	19	28,2	30	80	13	270	4027 1319 19	V
1/2	21	30,7	30	80	14	287	4027 1319 21	V
1/2	22	32	30	85	15	314	4027 1319 22	V
1/2	24	34,5	30	85	15	335	4027 1319 24	V

## Sockets, long version, double hexagon



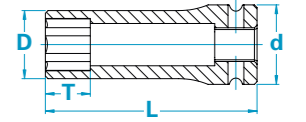
		Output-Ø D mm	Input-Ø d mm	Length L mm	Depth T mm	Weight g	Ordering No.	Pin and O-Ring Reference*
in	mm							
3/8	8	13.3	19	80	8	82	4027 1217 08	Y
3/8	9	14.5	19	80	9	88	4027 1217 09	Y
3/8	10	15.8	19	80	10	94	4027 1217 10	Y
3/8	11	17	19	80	11	110	4027 1217 11	Y
3/8	12	18.3	19	80	12	111	4027 1217 12	Y
3/8	13	19.5	22	80	13	138	4027 1217 13	X
3/8	14	20.8	22	80	14	148	4027 1217 14	X
3/8	15	22	22	80	15	157	4027 1217 15	X
3/8	16	23.3	22	80	16	156	4027 1217 16	X
3/8	17	24.5	22	80	17	168	4027 1217 17	X
3/8	18	25.8	22	80	18	190	4027 1217 18	X
3/8	19	27	22	80	19	192	4027 1217 19	X
1/2	10	17	25	80	10	140	4027 1317 10	W
1/2	11	18.2	25	80	11	156	4027 1317 11	W
1/2	12	19.5	25	80	12	162	4027 1317 12	W
1/2	13	20.7	25	80	13	162	4027 1317 13	W
1/2	14	22	25	80	14	174	4027 1317 14	W
1/2	15	23.2	30	80	15	220	4027 1317 15	V
1/2	16	24.5	30	80	16	232	4027 1317 16	V
1/2	17	25.7	30	80	17	232	4027 1317 17	V
1/2	18	27	30	80	18	232	4027 1317 18	V
1/2	19	28.2	30	80	19	259	4027 1317 19	V
1/2	21	30.7	30	80	21	265	4027 1317 21	V
1/2	22	32	30	85	22	290	4027 1317 22	V
1/2	24	34.5	30	85	24	329	4027 1317 24	V
1/2	27	38.2	30	85	27	385	4027 1317 27	V
1/2	30	42	30	85	30	457	4027 1317 30	V
1/2	32	44.5	30	85	32	542	4027 1317 32	V
3/4	16	28.8	44	100	16	520	4027 1517 16	U
3/4	17	30	44	100	17	530	4027 1517 17	U
3/4	18	31.3	44	100	18	549	4027 1517 18	U
3/4	19	32.5	44	100	19	569	4027 1517 19	U
3/4	21	35	44	100	21	593	4027 1517 21	U
3/4	22	36.3	44	100	22	608	4027 1517 22	U
3/4	24	38.8	44	100	24	641	4027 1517 24	U
3/4	27	42.5	44	100	27	692	4027 1517 27	U
3/4	30	46.3	44	100	30	759	4027 1517 30	U
3/4	32	48.8	44	100	32	803	4027 1517 32	U
3/4	36	53.8	44	100	36	894	4027 1517 36	U

## Sockets, long version, Surface Drive



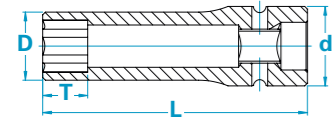
in	mm	Output-Ø	Input-Ø	Length	Depth	Weight	Ordering No.	Pin and O-Ring Reference*
		D mm	d mm					
3/8	7	11	18.5	80	7	70	4027 1210 07	Y
3/8	8	13.3	19	80	8	90	4027 1210 08	Y
3/8	9	14.5	19	80	9	90	4027 1210 09	Y
3/8	10	15.8	19	80	10	97	4027 1210 10	Y
3/8	11	17	19	80	11	110	4027 1210 11	Y
3/8	12	18.3	19	80	12	115	4027 1210 12	Y
3/8	13	19.5	22	80	13	135	4027 1210 13	X
3/8	14	20.8	22	80	14	145	4027 1210 14	X
3/8	15	22	22	80	15	160	4027 1210 15	X
3/8	16	23.3	22	80	16	156	4027 1210 16	X
3/8	17	24.5	22	80	17	168	4027 1210 17	X
3/8	19	27	22	80	19	190	4027 1210 19	X
3/8	21	29.4	22	80	21	226	4027 1210 21	X
3/8	22	33.2	22	80	22	231	4027 1210 22	X
1/2	10	17	25	80	10	136	4027 1310 10	W
1/2	11	18.2	25	80	11	148	4027 1310 11	W
1/2	12	19.5	25	80	12	156	4027 1310 12	W
1/2	13	20.7	25	80	13	158	4027 1310 13	W
1/2	14	22	25	80	14	170	4027 1310 14	W
1/2	15	23.2	30	80	15	225	4027 1310 15	V
1/2	16	24.5	30	80	16	228	4027 1310 16	V
1/2	17	25.7	30	80	17	232	4027 1310 17	V
1/2	18	27	30	80	18	232	4027 1310 18	V
1/2	19	28.2	30	80	19	252	4027 1310 19	V
1/2	21	30.7	30	80	21	260	4027 1310 21	V
1/2	22	32	30	85	22	290	4027 1310 22	V
1/2	24	34.5	30	85	24	322	4027 1310 24	V
1/2	27	38.2	30	85	27	380	4027 1310 27	V
1/2	30	42	30	85	30	450	4027 1310 30	V

## Sockets, long version, Surface Drive



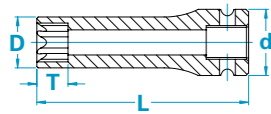
in	mm	Output-Ø	Input-Ø	Length	Depth	Weight	Ordering No.	Pin and O-Ring Reference*
		D mm	d mm					
3/4	16	28.8	44	100	16	520	4027 1510 16	U
3/4	17	30	44	100	17	530	4027 1510 17	U
3/4	18	31.3	44	100	18	549	4027 1510 18	U
3/4	19	32.5	44	100	19	569	4027 1510 19	U
3/4	21	35	44	100	21	593	4027 1510 21	U
3/4	22	36.3	44	100	22	608	4027 1510 22	U
3/4	24	38.8	44	100	24	641	4027 1510 24	U
3/4	27	42.5	44	100	27	692	4027 1510 27	U
3/4	30	46.3	44	100	30	759	4027 1510 30	U
3/4	32	48.8	44	100	32	803	4027 1510 32	U
3/4	33	50	44	100	33	845	4027 1510 33	U
3/4	36	53.8	44	100	36	894	4027 1510 36	U
1	21	37.8	54	108	21	950	4027 1610 21	T
1	22	39	54	108	22	950	4027 1610 22	T
1	24	41.5	54	108	24	944	4027 1610 24	T
1	27	45.3	54	108	27	1005	4027 1610 27	T
1	30	49	54	108	30	1152	4027 1610 30	T
1	32	51.5	54	108	32	1104	4027 1610 32	T
1	33	52.8	54	108	33	1145	4027 1610 33	T
1	34	54	54	108	34	1161	4027 1610 34	T
1	36	56.5	54	108	36	1216	4027 1610 36	T
1	41	62.8	54	108	38	1380	4027 1610 41	T
1	46	69	54	108	38	1580	4027 1610 46	T

### Sockets, long version, Surface Drive, guided



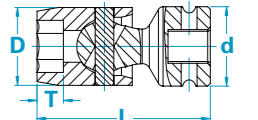
		Output-Ø D mm	Input-Ø d mm	Length L mm	Depth T mm	Weight g	Ordering No.	Pin and O-Ring Reference*
in	mm							
3/8	8	13.3	19	100	8	110	4027 1213 08	Y
3/8	10	15.8	19	100	10	112	4027 1213 10	Y
3/8	12	18.3	19	100	12	120	4027 1213 12	Y
3/8	13	19.5	22	100	13	127	4027 1213 13	X
3/8	14	20.8	22	100	14	131	4027 1213 14	X
3/8	16	23.3	22	100	16	144	4027 1213 16	X
3/8	17	24.5	22	100	17	154	4027 1213 17	X
1/2	10	17	25	100	10	200	4027 1313 10	W
1/2	12	19.5	25	100	12	215	4027 1313 12	W
1/2	13	20.7	25	100	13	220	4027 1313 13	W
1/2	14	22	25	100	14	225	4027 1313 14	W
1/2	16	24.5	30	100	16	230	4027 1313 16	V
1/2	17	25.7	30	100	17	250	4027 1313 17	V
1/2	19	28.2	30	100	19	275	4027 1313 19	V

### Sockets, long version, suited for Torx® screws



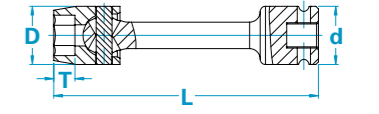
		Output-Ø D mm	Input-Ø d mm	Length L mm	Depth T mm	Weight g	Ordering No.	Pin and O-Ring Reference*
in								
3/8	E6	10.7	19	80	5.4	77	4027 1221 06	Y
3/8	E7	11.2	19	80	6.6	79	4027 1221 07	Y
3/8	E8	11.7	19	80	7	81	4027 1221 08	Y
3/8	E10	12.2	19	80	8.2	83	4027 1221 10	Y
3/8	E12	14.2	19	80	9.3	87	4027 1221 12	Y
3/8	E14	17.2	19	80	10.6	110	4027 1221 14	Y
3/8	E16	18.2	19	80	11.8	111	4027 1221 16	Y
1/2	E10	14.2	25	80	8.2	136	4027 1321 10	W
1/2	E12	15.2	25	80	9.3	141	4027 1321 12	W
1/2	E14	18.2	25	80	10.6	147	4027 1321 14	W
1/2	E16	19.2	25	80	11.8	151	4027 1321 16	W
1/2	E18	22.2	25	80	13	218	4027 1321 18	W
1/2	E20	24.2	30	80	14.4	225	4027 1321 20	V
3/4	E18	26.3	44	100	13	512	4027 1521 18	U
3/4	E20	28.8	44	100	14.4	530	4027 1521 20	U
3/4	E22	31.3	44	100	15.5	577	4027 1521 22	U
3/4	E24	32.5	44	100	17	620	4027 1521 24	U

### Universal sockets, short version



		Output-Ø D mm	Input-Ø d mm	Length L mm	Depth T mm	Weight g	Ordering No.	Pin and O-Ring Reference*
in	mm							
3/8	10	18	19	45	7	58	4027 1231 10	Y
3/8	11	19	19	50	7	70	4027 1231 11	Y
3/8	12	20	19	50	8	75	4027 1231 12	Y
3/8	13	22	22	50	8	96	4027 1231 13	X
3/8	14	23	22	54	9	112	4027 1231 14	X
3/8	15	24	22	58	9	120	4027 1231 15	X
3/8	16	27	22	58	10	157	4027 1231 16	X
1/2	13	23.8	25	57	8	137	4027 1331 13	W
1/2	14	25.2	25	60	9	154	4027 1331 14	W
1/2	15	26.6	30	64	9	203	4027 1331 15	V
1/2	16	29.4	30	66	10	242	4027 1331 16	V
1/2	17	29.4	30	66	10	244	4027 1331 17	V
1/2	18	32.2	30	70	12	285	4027 1331 18	V
1/2	19	32.2	30	70	12	285	4027 1331 19	V

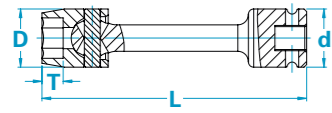
### Universal sockets, long version





		Output-Ø D mm	Input-Ø d mm	Length L mm	Depth T mm	Weight g	Ordering No.	Pin and O-Ring Reference*
in	mm							
3/8	10	18	19	100	7	80	4027 1232 10	Y
3/8	10	18	19	150	7	100	4027 1233 10	Y
3/8	11	19	19	100	7	105	4027 1232 11	Y
3/8	11	19	19	150	7	125	4027 1233 11	Y
3/8	12	20	19	100	8	110	4027 1232 12	Y
3/8	12	20	19	150	8	130	4027 1233 12	Y
3/8	13	22	22	100	8	135	4027 1232 13	X
3/8	13	22	22	150	8	160	4027 1233 13	X
3/8	14	23	22	100	9	145	4027 1232 14	X
3/8	14	23	22	150	9	175	4027 1233 14	X
3/8	15	24	22	100	9	165	4027 1232 15	X
3/8	15	24	22	150	9	200	4027 1233 15	X
3/8	16	27	22	100	10	185	4027 1232 16	X
3/8	16	27	22	150	10	225	4027 1233 16	X
3/8	17	27	22	100	10	180	4027 1232 17	X
3/8	17	27	22	150	10	220	4027 1233 17	X
in	in							
3/8	3/8	18	19	100	7	85	4027 1232 91	Y
3/8	7/16	19	19	100	7	105	4027 1232 88	Y
3/8	1/2	22	22	100	8	140	4027 1232 86	X
3/8	9/16	23	22	100	9	140	4027 1232 84	X
3/8	5/8	27	22	100	10	185	4027 1232 83	X
3/8	11/16	27	22	100	10	175	4027 1232 82	X



## Universal Sockets, long version

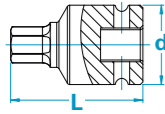


			Output-Ø D mm	Input-Ø d mm	Length L mm	Depth T mm	Weight g	Ordering No.	Pin and O-Ring Reference*
	in	mm							
1/2	13	23.8	25	100	8	165	4027 1332 13	W	
1/2	13	23.8	25	150	8	215	4027 1333 13	W	
1/2	14	25.2	25	100	9	190	4027 1332 14	W	
1/2	14	25.2	25	150	9	230	4027 1333 14	W	
1/2	15	26.6	30	100	9	258	4027 1332 15	V	
1/2	15	26.6	30	150	9	297	4027 1333 15	V	
1/2	16	29.4	30	100	10	297	4027 1332 16	V	
1/2	16	29.4	30	150	10	345	4027 1333 16	V	
1/2	17	29.4	30	100	10	300	4027 1332 17	V	
1/2	17	29.4	30	150	10	347	4027 1333 17	V	
1/2	18	32.2	30	100	12	341	4027 1332 18	V	
1/2	18	32.2	30	150	12	402	4027 1333 18	V	
1/2	19	32.2	30	100	12	336	4027 1332 19	V	
1/2	19	32.2	30	150	12	397	4027 1333 19	V	
	in	in							
1/2	1/2	23.8	25	100	8	170	4027 1332 86	W	
1/2	9/16	25.2	25	100	9	185	4027 1332 84	W	
1/2	5/8	29.4	30	100	10	302	4027 1332 83	V	
1/2	11/16	29.4	30	100	10	295	4027 1332 82	V	
1/2	3/4	32.2	30	100	12	336	4027 1332 81	V	

# BIT SOCKETS

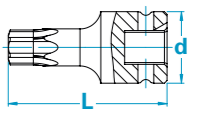


## Bit sockets, suited for inhex screws



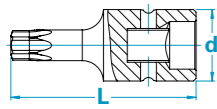
Input-Ø d mm		Length L mm	Weight g	Ordering No.	Pin and O-Ring Reference*	
in	mm					
1/4	3	13	25	14	4027 1123 03	Z
1/4	4	13	25	14	4027 1123 04	Z
1/4	5	13	25	15	4027 1123 05	Z
1/4	6	13	28	16	4027 1123 06	Z
1/4	7	13	28	17	4027 1123 07	Z
1/4	8	13	28	18	4027 1123 08	Z
3/8	4	19	50	35	4027 1223 04	Y
3/8	5	19	50	35	4027 1223 05	Y
3/8	6	19	50	39	4027 1223 06	Y
3/8	7	19	50	44	4027 1223 07	Y
3/8	8	19	50	60	4027 1223 08	Y
3/8	10	19	50	70	4027 1223 10	Y
1/2	6	25	42	79	4027 1323 06	W
1/2	7	25	42	81	4027 1323 07	W
1/2	8	25	42	81	4027 1323 08	W
1/2	10	25	44	89	4027 1323 10	W
1/2	12	30	50	161	4027 1323 12	V
1/2	14	30	50	162	4027 1323 14	V
1/2	17	30	50	176	4027 1323 17	V
3/4	12	44	62	408	4027 1523 12	U
3/4	14	44	62	397	4027 1523 14	U
3/4	17	44	62	387	4027 1523 17	U
3/4	19	44	66	428	4027 1523 19	U
3/4	22	44	66	442	4027 1523 22	U
1	17	54	90	825	4027 1623 17	T
1	19	54	90	814	4027 1623 19	T
1	22	54	90	856	4027 1623 22	T
1	24	54	90	876	4027 1623 24	T
1	27	54	90	915	4027 1623 27	T
1	30	54	90	971	4027 1623 30	T

## Bit sockets, suited for female Torx® screws



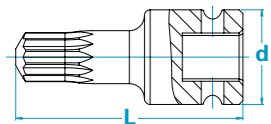
Input-Ø d mm		Length L mm	Weight g	Ordering No.	Pin and O-Ring Reference*	
in	mm					
3/8	T30	19	50	37	4027 1226 30	Y
3/8	T30	19	100	53	4027 1227 30	Y
3/8	T30	19	150	69	4027 1228 30	Y
3/8	T40	19	50	40	4027 1226 40	Y
3/8	T40	19	100	60	4027 1227 40	Y
3/8	T40	19	150	80	4027 1228 40	Y
3/8	T45	19	50	41	4027 1226 45	Y
3/8	T45	19	100	61	4027 1227 45	Y
3/8	T45	19	150	81	4027 1228 45	Y
3/8	T50	22	50	59	4027 1226 50	X
3/8	T50	22	100	90	4027 1227 50	X
3/8	T50	22	150	121	4027 1228 50	X
3/8	T55	22	50	67	4027 1226 55	X
3/8	T55	22	100	111	4027 1227 55	X
3/8	T55	22	150	155	4027 1228 55	X
1/2	T30	25	60	78	4027 1326 30	W
1/2	T30	25	100	94	4027 1327 30	W
1/2	T30	25	150	114	4027 1328 30	W
1/2	T40	25	60	85	4027 1326 40	W
1/2	T40	25	100	100	4027 1327 40	W
1/2	T40	25	150	119	4027 1328 40	W
1/2	T45	25	60	86	4027 1326 45	W
1/2	T45	25	100	101	4027 1327 45	W
1/2	T45	25	150	120	4027 1328 45	W
1/2	T50	25	60	90	4027 1326 50	W
1/2	T50	25	100	115	4027 1327 50	W
1/2	T50	25	150	147	4027 1328 50	W
1/2	T55	27	60	117	4027 1326 55	V
1/2	T55	27	100	151	4027 1327 55	V
1/2	T55	27	150	194	4027 1328 55	V
1/2	T60	27	60	127	4027 1326 60	V
1/2	T60	27	100	176	4027 1327 60	V
1/2	T60	27	150	237	4027 1328 60	V

### Bit sockets, suited for female Torx® screws, guided



		Input-Ø d mm	Length L mm	Weight g	Ordering No.	Pin and O-Ring Reference*
<b>in</b>	<b>mm</b>					
3/8	T30	19	60	48	4027 1229 30	Y
3/8	T30	19	110	64	4027 1230 30	Y
3/8	T40	19	60	51	4027 1229 40	Y
3/8	T40	19	110	71	4027 1230 40	Y
3/8	T45	19	60	52	4027 1229 45	Y
3/8	T45	19	110	72	4027 1230 45	Y
3/8	T50	22	60	78	4027 1229 50	X
3/8	T50	22	110	109	4027 1230 50	X
3/8	T55	22	60	86	4027 1229 55	X
3/8	T55	22	110	174	4027 1230 55	X
1/2	T30	25	70	97	4027 1329 30	W
1/2	T30	25	110	113	4027 1330 30	W
1/2	T40	25	70	104	4027 1329 40	W
1/2	T40	25	110	119	4027 1330 40	W
1/2	T45	25	70	106	4027 1329 45	W
1/2	T45	25	110	120	4027 1330 45	W
1/2	T50	25	70	109	4027 1329 50	W
1/2	T50	25	110	134	4027 1330 50	W
1/2	T55	27	70	144	4027 1329 55	V
1/2	T55	27	110	178	4027 1330 55	V
1/2	T60	27	70	154	4027 1329 60	V
1/2	T60	27	110	203	4027 1330 60	V

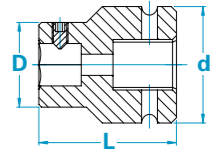
### Bit sockets, suited for XZN-screws



		Input-Ø d mm	Length L mm	Weight g	Ordering No.	Pin and O-Ring Reference*
<b>in</b>	<b>mm</b>					
3/8	5	19	50	37	4027 1224 05	Y
3/8	5	19	100	59	4027 1225 05	Y
3/8	6	19	50	39	4027 1224 06	Y
3/8	6	19	100	61	4027 1225 06	Y
3/8	8	19	50	40	4027 1224 08	Y
3/8	8	19	100	62	4027 1225 08	Y
3/8	10	19	50	65	4027 1224 10	Y
3/8	10	19	100	99	4027 1225 10	Y
3/8	12	19	50	69	4027 1224 12	Y
3/8	12	19	100	103	4027 1225 12	Y
1/2	8	25	60	71	4027 1324 08	W
1/2	8	25	125	105	4027 1325 08	W
1/2	10	25	60	93	4027 1324 10	W
1/2	10	25	125	153	4027 1325 10	W
1/2	12	25	60	110	4027 1324 12	W
1/2	12	25	125	173	4027 1325 12	W
1/2	14	25	60	110	4027 1324 14	W
1/2	14	25	125	179	4027 1325 14	W

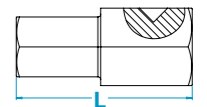
### Bit Holder for exchangeable bits with hexagonal drive

		Output-Ø D mm	Input-Ø d mm	Length L mm	Weight g	Ordering No.	Pin and O-Ring Reference*
<b>in</b>	<b>mm</b>						
3/8	11	22	22	32	70	4027 1235 10	X
1/2	11	22	30	38	126	4027 1335 10	V
3/4	16	32	44	52	369	4027 1535 10	U
3/4	22	44	44	60	530	4027 1535 11	U
1	22	44	54	70	770	4027 1635 11	T

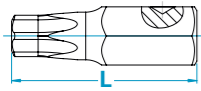


### Bits for inhex screws for bit holder with hexagonal drive

		Length L mm	Weight g	Ordering No.
<b>mm</b>	<b>mm</b>			
11	4	35	16	4027 1250 04
11	5	35	16	4027 1250 05
11	6	35	18	4027 1250 06
11	7	35	19	4027 1250 07
11	8	35	20	4027 1250 08
11	10	35	26	4027 1250 10
11	12	35	31	4027 1250 12
11	14	35	38	4027 1250 14
11	17	35	50	4027 1250 17
11	19	35	56	4027 1250 19
16	10	40	46	4027 1550 10
16	12	40	52	4027 1550 12
16	14	40	60	4027 1550 14
16	16	40	69	4027 1550 16
16	17	40	73	4027 1550 17
16	19	40	80	4027 1550 19
22	17	50	120	4027 1650 17
22	19	50	140	4027 1650 19
22	22	50	162	4027 1650 22
22	24	50	176	4027 1650 24
22	27	50	200	4027 1650 27
22	30	50	227	4027 1650 30
22	32	55	243	4027 1650 32

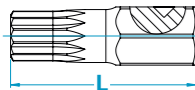


### Bits for Torx® screws for bit holder with hexagonal drive



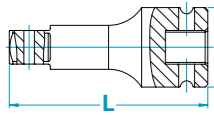
mm		Length L mm	Weight g	Ordering No.
11	T30	35	18	4027 1252 30
11	T40	35	20	4027 1252 40
11	T45	35	22	4027 1252 45
11	T50	35	26	4027 1252 50
11	T55	35	31	4027 1252 55
11	T60	35	38	4027 1252 60
16	T55	50	57	4027 1552 55
16	T60	50	64	4027 1552 60
16	T70	50	73	4027 1552 70
22	T100	60	170	4027 1652 00
22	T80	60	141	4027 1652 80
22	T90	60	155	4027 1652 90

### Bits for XZN screws for bit holder with hexagonal drive



mm		Length L mm	Weight g	Ordering No.
11	M4	35	18	4027 1251 04
11	M5	35	20	4027 1251 05
11	M6	35	22	4027 1251 06
11	M8	35	26	4027 1251 08
11	M10	35	31	4027 1251 10
11	M12	35	38	4027 1251 12
16	M14	60	83	4027 1551 14
16	M16	60	93	4027 1551 16
16	M18	60	103	4027 1551 18

### Extensions with hole at the output drive

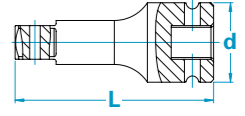


in	in	Input-Ø d mm	Length L mm	Weight g	Ordering No.	Pin and O-Ring Reference*
1/4	1/4	13	55	26	4027 1134 10	Z
1/4	1/4	13	75	45	4027 1134 11	Z
1/4	1/4	13	100	69	4027 1134 12	Z
1/4	1/4	13	125	93	4027 1134 13	Z
1/4	1/4	13	150	117	4027 1134 14	Z
3/8	3/8	22	75	95	4027 1234 11	X
3/8	3/8	22	100	118	4027 1234 12	X
3/8	3/8	22	125	141	4027 1234 13	X
3/8	3/8	22	150	164	4027 1234 14	X
3/8	3/8	22	200	210	4027 1234 16	X
3/8	3/8	22	250	256	4027 1234 17	X

### Extensions with hole at the output drive



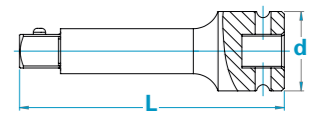
in	in	Input-Ø d mm	Length L mm	Weight g	Ordering No.	Pin and O-Ring Reference*
1/2	1/2	30	75	188	4027 1334 11	V
1/2	1/2	30	100	230	4027 1334 12	V
1/2	1/2	30	125	272	4027 1334 13	V
1/2	1/2	30	150	314	4027 1334 14	V
1/2	1/2	30	200	397	4027 1334 16	V
1/2	1/2	30	250	480	4027 1334 17	V
3/4	3/4	44	125	668	4027 1534 13	U
3/4	3/4	44	175	863	4027 1534 15	U
3/4	3/4	44	250	1137	4027 1534 17	U
3/4	3/4	44	330	1466	4027 1534 18	U
1	1	54	175	1390	4027 1634 15	T
1	1	54	250	1908	4027 1634 17	T
1	1	54	330	2461	4027 1634 18	T
1.1/2	1.1/2	86	175	3300	4027 1734 15	S
1.1/2	1.1/2	86	250	4500	4027 1734 17	S
1.1/2	1.1/2	86	330	5200	4027 1734 18	S



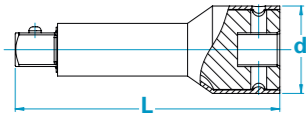
### Extensions with pin at the output drive



in	in	Input-Ø d mm	Length L mm	Weight g	Ordering No.	Pin and O-Ring Reference*
1/4	1/4	13	55	26	4027 1134 00	Z
1/4	1/4	13	75	45	4027 1134 01	Z
1/4	1/4	13	100	69	4027 1134 02	Z
1/4	1/4	13	125	93	4027 1134 03	Z
1/4	1/4	13	150	117	4027 1134 04	Z
3/8	3/8	22	75	95	4027 1234 01	X
3/8	3/8	22	100	118	4027 1234 02	X
3/8	3/8	22	125	141	4027 1234 03	X
3/8	3/8	22	150	164	4027 1234 04	X
3/8	3/8	22	200	210	4027 1234 06	X
3/8	3/8	22	250	256	4027 1234 07	X
1/2	1/2	30	75	188	4027 1334 01	V
1/2	1/2	30	100	230	4027 1334 02	V
1/2	1/2	30	125	272	4027 1334 03	V
1/2	1/2	30	150	314	4027 1334 04	V
1/2	1/2	30	200	397	4027 1334 06	V
1/2	1/2	30	250	480	4027 1334 07	V



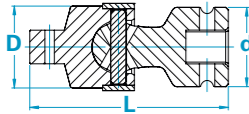
## Extensions with pin and rotating protection sleeve



Input-Ø d mm	Length L mm	Weight g	Ordering No.	Pin and O-Ring Reference
in	in			
3/8	75	98	4027 1234 21	no**
3/8	100	122	4027 1234 22	no**
3/8	125	145	4027 1234 23	no**
3/8	150	169	4027 1234 24	no**
3/8	200	217	4027 1234 26	no**
3/8	250	264	4027 1234 27	no**
1/2	75	192	4027 1334 21	no**
1/2	100	235	4027 1334 22	no**
1/2	125	277	4027 1334 23	no**
1/2	150	319	4027 1334 24	no**
1/2	200	406	4027 1334 26	no**
1/2	250	489	4027 1334 27	no**

\*\*suited for ball/pin locked square drives only

## Ball joints

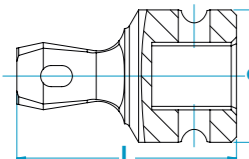


Output-Ø D mm	Input-Ø d mm	Length L mm	Weight g	Ordering No.	Pin and O-Ring Reference*
in	in				
1/4 <sup>1)</sup>	1/4	16	13	39	30 4027 1135 40 Z
3/8 <sup>1)</sup>	3/8	24	22	56	110 4027 1235 40 X
1/2 <sup>1)</sup>	1/2	28	30	74	210 4027 1335 40 V
3/4 <sup>2)</sup>	3/4	44	44	106	760 4027 1535 40 U
1 <sup>2)</sup>	1	52	54	127	1340 4027 1635 40 T

<sup>1)</sup> with pin at the output drive

<sup>2)</sup> with hole at the output drive

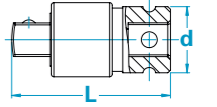
## Wobble adapter



Input-Ø d mm	Length L mm	Weight g	Ordering No.	Pin and O-Ring Reference*
in	in			
3/8	35	29	4027 1235 50	Y
1/2	50	95	4027 1335 50	W
3/4	75	335	4027 1535 50	U
1	90	585	4027 1635 50	T

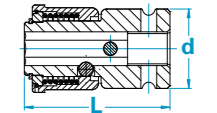
## Quick change adapter

Input-Ø d mm	Length L mm	Weight g	Ordering No.	Pin and O-Ring Reference*
in	in			
1/4	35	30	4027 1136 10	Z
3/8	45	62	4027 1236 10	Y
1/2	60	128	4027 1336 10	W
5/8	70	306	4027 1436 10	R
3/4	75	605	4027 1536 10	U
1	95	990	4027 1636 10	T



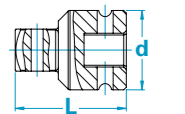
## Quick change adapter

Input-Ø d mm	Length L mm	Weight g	Ordering No.	Pin and O-Ring Reference*
in	in			
3/8	45	60	4027 1236 00	Y
3/8	46	53	4027 1236 01	X
3/8	39.5	98	4027 1236 02	X
3/8	45	141	4027 1236 03	X
1/2	55	97	4027 1336 00	W
1/2	55	218	4027 1336 03	V
5/8	55	249	4027 1436 03	R

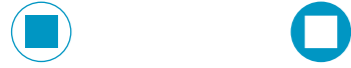
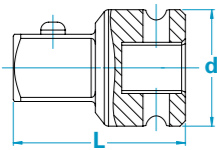


## Universal adapter with hole at the output drive

Input-Ø d mm	Length L mm	Weight g	Ordering No.	Pin and O-Ring Reference*
in	in			
1/4	22	15	4027 1135 21	Z
3/8	25	25	4027 1235 20	Y
3/8	32.5	53	4027 1235 21	X
1/2	36	68	4027 1335 20	W
1/2	42	135	4027 1335 21	V
1/2	44	146	4027 1335 22	V
5/8	46	170	4027 1435 20	R
3/4	52	295	4027 1535 20	U
3/4	55.5	336	4027 1535 21	U
3/4	62	428	4027 1535 22	U
1	66.5	557	4027 1635 20	T
1	80	935	4027 1635 21	T
1.1/2	98	2600	4027 1735 20	S

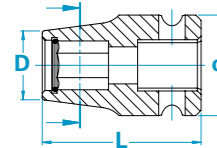


### Universal adapter with pin at the output drive



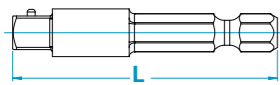
			Input-Ø d mm	Length L mm	Weight g	Ordering No.	Pin and O-Ring Reference*
	in	in					
	1/4	3/8	13	22	15	4027 1135 31	Z
	3/8	1/4	19	25	25	4027 1235 30	Y
	3/8	1/2	22	32.5	53	4027 1235 31	X
	1/2	3/8	25	36	68	4027 1335 30	W
	3/4	1/2	44	52	310	4027 1535 30	U

### Universal adapter



			Output-Ø D mm	Input-Ø d mm	Length L mm	Weight g	Ordering No.	Pin and O-Ring Reference*
	in	in						
	1/4	1/4	11	13	25	16	4027 1135 00	Z
	3/8	1/4	11	19	30	33	4027 1235 00	Y
	3/8	5/16	14	19	30	36	4027 1235 01	Y
	1/2	1/4	11	25	35	60	4027 1335 00	W
	1/2	5/16	14	25	35	62	4027 1335 01	W

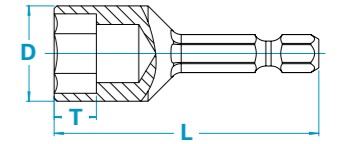
### Universal adapter



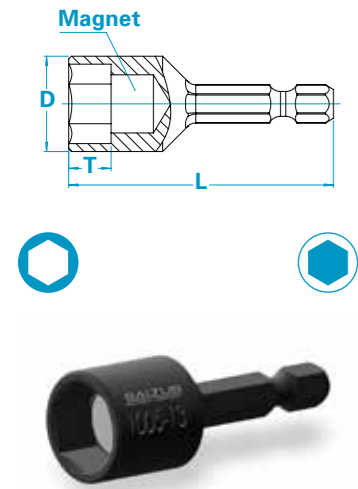
			Output-Ø D mm	Input-Ø d mm	Length L mm	Weight g	Ordering No.
	in	in					
	1/4	1/4			50	17	4027 1017 00
	1/4	1/4			75	32	4027 1017 01
	1/4	1/4			100	47	4027 1017 02
	1/4	1/4			150	77	4027 1017 04
	1/4	3/8			50	26	4027 1017 10
	1/4	3/8			75	38	4027 1017 11
	1/4	3/8			100	50	4027 1017 12
	7/16	3/8			70	63	4027 1018 01
	7/16	3/8			125	124	4027 1018 03
	7/16	3/8			200	209	4027 1018 05
	7/16	1/2			70	75	4027 1018 11
	7/16	1/2			125	142	4027 1018 13
	7/16	1/2			200	235	4027 1018 15

### Nut setter

			Output-Ø D mm	Length L mm	Depth T mm	Weight g	Ordering No.
	in	mm					
	1/4	5.5	9	50	4	15	4027 1000 55
	1/4	7	11	50	5	19	4027 1000 07
	1/4	7	11.5	100	5	40	4027 1002 07
	1/4	7	11.5	150	5	59	4027 1003 07
	1/4	7	11.5	200	5	78	4027 1004 07
	1/4	8	12	50	6	20	4027 1000 08
	1/4	8	12.7	75	6	32	4027 1001 08
	1/4	8	12.7	100	6	41	4027 1002 08
	1/4	8	12.7	150	6	60	4027 1003 08
	1/4	8	12.7	200	6	79	4027 1004 08
	1/4	10	14.2	50	7	31	4027 1000 10
	1/4	10	14.5	75	7	35	4027 1001 10
	1/4	10	14.5	100	7	45	4027 1002 10
	1/4	10	14.5	150	7	64	4027 1003 10
	1/4	10	14.5	200	7	83	4027 1004 10
	1/4	11	16	50	8	36	4027 1000 11
	1/4	13	18	50	8	42	4027 1000 13
	1/4	13	18	100	8	51	4027 1002 13
	1/4	13	18	150	8	72	4027 1003 13
	1/4	13	18	200	8	93	4027 1004 13
	7/16	10	16	90	7	78	4027 1011 10
	7/16	10	16	150	7	146	4027 1012 10
	7/16	11	17.5	90	8	90	4027 1011 11
	7/16	11	17.5	150	8	150	4027 1012 11
	7/16	12	18.5	90	9	95	4027 1011 12
	7/16	12	18.5	150	9	155	4027 1012 12
	7/16	13	20	100	9.5	105	4027 1011 13
	7/16	13	20	150	9.5	157	4027 1012 13
	7/16	14	21.5	100	10	110	4027 1011 14
	7/16	14	21.5	150	10	170	4027 1012 14
	7/16	15	23	100	11	134	4027 1011 15
	7/16	15	23	150	11	175	4027 1012 15
	7/16	16	25.5	100	12	153	4027 1011 16
	7/16	16	25.5	150	12	212	4027 1012 16
	7/16	17	25.5	100	12	130	4027 1011 17
	7/16	17	25.5	150	12	210	4027 1012 17
	7/16	18	27.5	100	14	185	4027 1011 18
	7/16	18	27.5	150	14	264	4027 1012 18
	7/16	19	27.5	100	14	163	4027 1011 19
	7/16	19	27.5	150	14	243	4027 1012 19
	7/16	21	32.5	100	16	220	4027 1011 21
	7/16	21	32.5	150	16	325	4027 1012 21
	7/16	22	32.5	110	16	225	4027 1011 22
	7/16	22	32.5	150	16	325	4027 1012 22

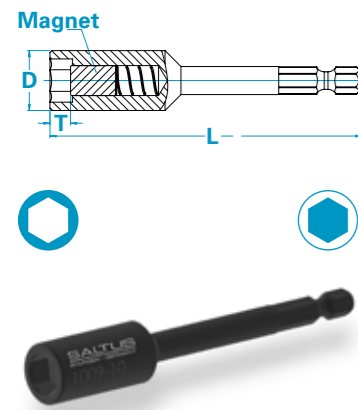


## Nut setter with magnet



in	mm	Output-Ø D mm	Length L mm	Depth T mm	Weight g	Ordering No.
1/4	5.5	9	50	2.1	15	4027 1005 55
1/4	7	11	50	2.8	19	4027 1005 07
1/4	7	11.5	75	2.8	32	4027 1006 07
1/4	7	11.5	100	2.8	41	4027 1007 07
1/4	7	11.5	150	2.8	60	4027 1008 07
1/4	8	12	50	3.5	20	4027 1005 08
1/4	8	12.7	75	3.5	33	4027 1006 08
1/4	8	12.7	100	3.5	42	4027 1007 08
1/4	8	12.7	150	3.5	61	4027 1008 08
1/4	10	14.2	50	4.2	29	4027 1005 10
1/4	10	14.5	75	4.2	38	4027 1006 10
1/4	10	14.5	100	4.2	50	4027 1007 10
1/4	10	14.5	150	4.2	74	4027 1008 10
1/4	11	16	50	4.9	34	4027 1005 11
1/4	12	17	50	5.6	40	4027 1005 12
1/4	13	18	50	6	50	4027 1005 13
1/4	13	18	75	6	49	4027 1006 13
1/4	13	18	100	6	62	4027 1007 13
1/4	13	18	150	6	88	4027 1008 13

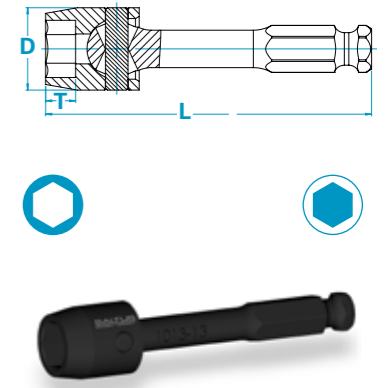
## Nut setter with spring-mounted magnet



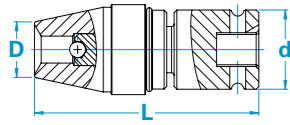
in	mm	Output-Ø D mm	Length L mm	Depth T mm	Weight g	Ordering No.
1/4	8	12.7	75	4	41	4027 1063 08
1/4	8	12.7	100	4	51	4027 1009 08
1/4	8	12.7	150	4	70	4027 1010 08
1/4	8	12.7	200	4	89	4027 1064 08
1/4	8	12.7	250	4	108	4027 1065 08
1/4	10	14.5	75	4.5	48	4027 1063 10
1/4	10	14.5	100	4.5	57	4027 1009 10
1/4	10	14.5	150	4.5	77	4027 1010 10
1/4	10	14.5	200	4.5	96	4027 1064 10
1/4	10	14.5	250	4.5	116	4027 1065 10
1/4	12	17	75	6	65	4027 1063 12
1/4	12	17	100	6	77	4027 1009 12
1/4	12	17	150	6	101	4027 1010 12
1/4	12	17	200	6	125	4027 1064 12
1/4	12	17	250	6	149	4027 1065 12
1/4	13	18	75	6.5	70	4027 1063 13
1/4	13	18	100	6.5	82	4027 1009 13
1/4	13	18	150	6.5	106	4027 1010 13
1/4	13	18	200	6.5	130	4027 1064 13
1/4	13	18	250	6.5	154	4027 1065 13
1/4	14	19	75	7	73	4027 1063 14
1/4	14	19	100	7	85	4027 1009 14
1/4	14	19	150	7	110	4027 1010 14
1/4	14	19	200	7	135	4027 1064 14
1/4	14	19	250	7	160	4027 1065 14

## Universal nut setter

in	mm	Output-Ø D mm	Length L mm	Depth T mm	Weight g	Ordering No.
7/16	10	18	100	7	70	4027 1013 10
7/16	10	18	150	7	85	4027 1014 10
7/16	10	18	200	7	100	4027 1015 10
7/16	10	18	300	7	130	4027 1016 10
7/16	11	19	100	7	80	4027 1013 11
7/16	11	19	150	7	100	4027 1014 11
7/16	12	20	100	8	85	4027 1013 12
7/16	12	20	150	8	105	4027 1014 12
7/16	12	20	200	8	125	4027 1015 12
7/16	13	22	100	8	105	4027 1013 13
7/16	13	22	150	8	135	4027 1014 13
7/16	13	22	200	8	165	4027 1015 13
7/16	13	22	300	8	225	4027 1016 13
7/16	14	23	100	9	115	4027 1013 14
7/16	14	23	150	9	145	4027 1014 14
7/16	14	23	200	9	175	4027 1015 14
7/16	15	24	100	9	130	4027 1013 15
7/16	15	24	150	9	160	4027 1014 15
7/16	15	24	200	9	190	4027 1015 15
7/16	15	24	300	9	250	4027 1016 15
7/16	16	27	100	10	160	4027 1013 16
7/16	16	27	150	10	190	4027 1014 16
7/16	16	27	200	10	220	4027 1015 16
7/16	16	27	300	10	280	4027 1016 16
7/16	17	27	100	10	160	4027 1013 17
7/16	17	27	150	10	190	4027 1014 17
7/16	17	27	200	10	220	4027 1015 17
7/16	17	27	300	10	280	4027 1016 17
7/16	18	30	100	12	210	4027 1013 18
7/16	18	30	150	12	255	4027 1014 18
7/16	18	30	200	12	300	4027 1015 18
7/16	18	30	300	12	390	4027 1016 18
7/16	19	30	100	12	210	4027 1013 19
7/16	19	30	150	12	255	4027 1014 19
7/16	19	30	200	12	300	4027 1015 19
7/16	19	30	300	12	390	4027 1016 19
7/16	21	34	100	13	270	4027 1013 21
7/16	21	34	150	13	330	4027 1014 21
7/16	21	34	200	13	390	4027 1015 21
7/16	22	34	100	13	270	4027 1013 22
7/16	22	34	150	13	330	4027 1014 22
7/16	22	34	200	13	390	4027 1015 22



## Stud setter with security sleeve



		Output-Ø D mm	Input-Ø d mm	Length L mm	Weight g	Ordering No.	Pin and O-Ring Reference*
<b>in</b>							
3/8	M5	12	22	70	254	4027 1237 05	X
3/8	M6	13	22	71	270	4027 1237 06	X
3/8	M8	15	22	73	283	4027 1237 08	X
3/8	M10	17	22	75	296	4027 1237 10	X
3/8	M12	19	22	77	311	4027 1237 12	X
1/2	M5	12	30	78	352	4027 1337 05	V
1/2	M6	13	30	79	357	4027 1337 06	V
1/2	M8	15	30	81	368	4027 1337 08	V
1/2	M10	17	30	83	379	4027 1337 10	V
1/2	M12	19	30	85	389	4027 1337 12	V
1/2	M14	20	30	95	618	4027 1337 14	V
1/2	M16	22	30	103	668	4027 1337 16	V
1/2	M18	25	30	103	870	4027 1337 18	V
1/2	M20	27	30	111	924	4027 1337 20	V

## Pin and o-ring sets

Reference* Letter	Locking pin Diameter mm	Length mm	O-Ring Ø mm	Inner Ø mm	Pin and O-Ring Set Ordering No.
Z	1.5	10	2.5	9	4027 1198 90
Y	2.5	14	3.5	13	4027 1298 90
X	2.5	16	3.5	16	4027 1298 91
W	3	20	4	19	4027 1398 90
V	3	24	4	24	4027 1398 91
U	4	36	5	36	4027 1598 90
T	5	45	7	45	4027 1698 90
S	7	75	10	75	4027 1798 90
R	4	30	4.5	28	4027 1498 90
Q	5.5	45	5	45	4027 1598 91
P	7	110	10	114	4027 1798 91



## ***COMMITTED TO SUSTAINABLE PRODUCTIVITY***

We stand by our responsibilities towards our customers.  
towards the environment and the people around us.  
We make performance stand a test of time.  
This is what we call - Sustainable Productivity.

[www.atlascopco.com](http://www.atlascopco.com)

*Atlas Copco*